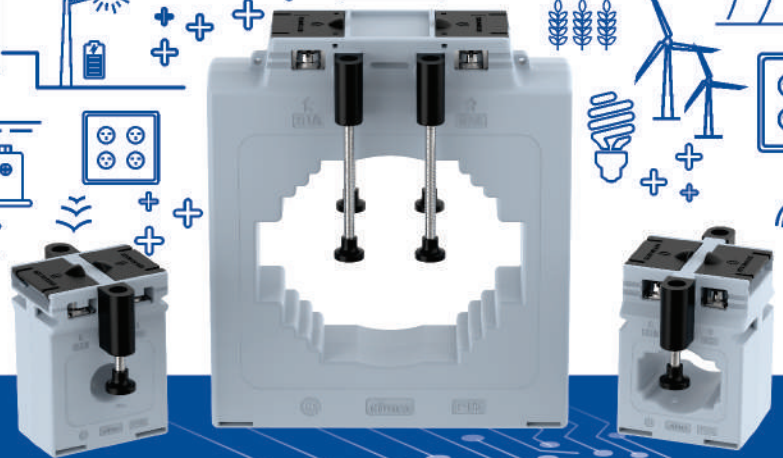
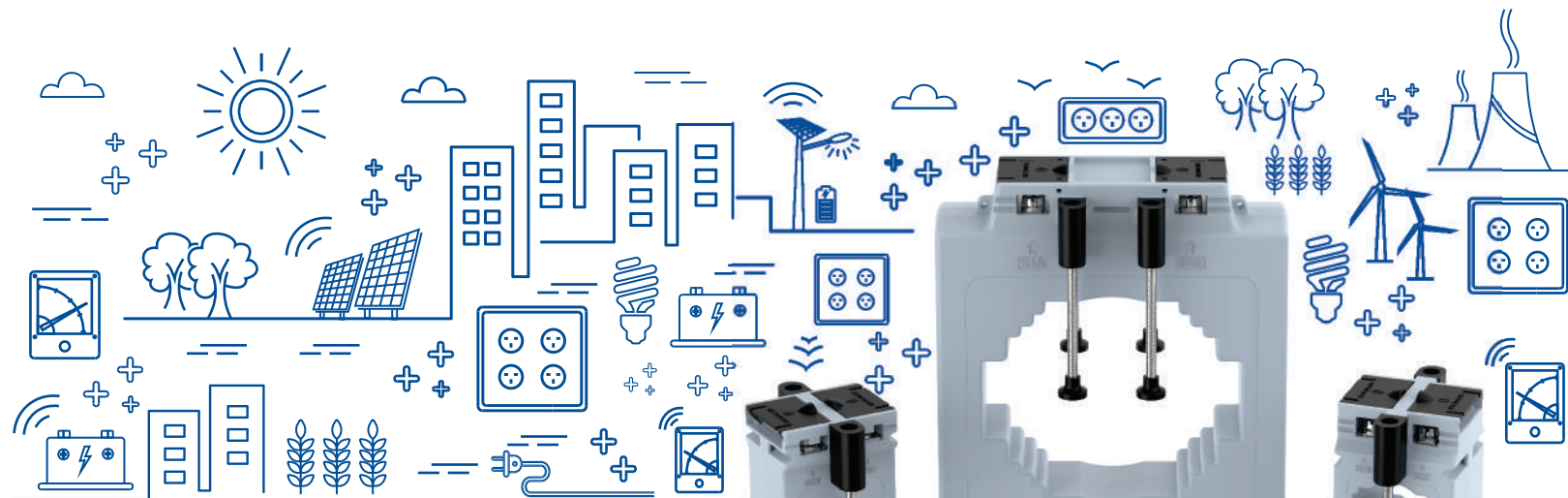




since 1963

Converging
Innovations  Expanding
Solutions



Solution for
Metering & Protection

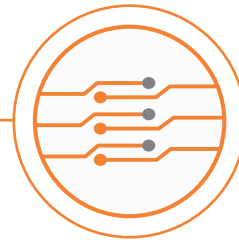


since 1963

Converging
Innovations  Expanding
Solutions



**Solutions For
Metering & Protection**



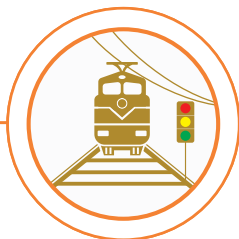
**Solutions For
Connectivity**



**Solutions For
Solar Photovoltaic**



**Solutions For
Control & Instrumentation**



**Solutions For
Railways**



**Solutions For
Oil & Gas Industry**



APPLICATIONS



'elmex' Current Transformers are available for various combinations of Burden and class of accuracy for various applications. The Insulating materials used are complying with requirements of IEC:60085 for Insulation Class-E (or better).

Features

Metering	Protection	Revenue	Core Balance
Indication	Summation	Differential Protection	Interposing
Motor / Power Control Center		Meters & UPS Manufactures	



CONSTRUCTION

'elmex' Low Voltage Current Transformers are designed for supplying to Measuring Instruments and Protective Devices. These are suitable for System Voltage 415V / 660V / 1000V and frequency 50 / 60 Hz. Basic construction is in three different Groups as under, meeting various application requirements.

POLYCARBONATE ENCAPSULATED

RESIN CAST

TAPE INSULATED



CONFIGURATION

Wound Primary Type (WPL)

(CT having Two or more number of Primary turns)

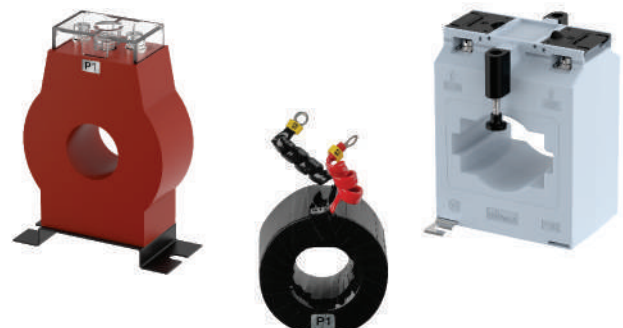
- Preferred for Rated Primary Current below 100A.
- Offered for higher Accuracy with lower Burdens (viz. 5VA / Class - 1.0 or 2.5VA / Class- 0.5 for metering) for lower primary current.
- Available in Polycarbonate Encapsulated & Resin Cast.



Window / Plug - In Type (BPL)

(CT having an opening of suitable size is provided in the centre for Primary conductor)

- Preferred for Rated Primary Current of 100A and above.
- Economic design
- Available in Polycarbonate Encapsulated, Resin Cast and Tape Insulated.



GENERAL SPECIFICATIONS



Highest System Voltage: 720V, 50 / 60 Hz.	Insulation Class: E (Offered B or F on request)
Basic Insulation Level: 0.72 / 4.0 kV	Connections: (S1-S2) Two brass terminals of M5 Size
Rated Primary Current: 1 A to 7500 A	Applicable Standard: IEC - 61869 / IS - 16227
Rated Secondary Current: 5 A or 1 A	Standard Burden: 1.25,2.5,3.75,5,7.5,10,15,20,30,40,60 VA
Storage Temperature : -40°C to +90°C	Instrument Security Factor: 5 or 10
Average Ambient: -20°C to +45°C	Dynamic Current (Idyn.): 2.5 x Ith.
Short - Time Thermal Current (Ith): 40xIn for Wound Type CT and 60xIn for Window Type CT.	

CLASS OF ACCURACY

0.2S, 0.5S for Tariff (Revenue)	3.0, 5.0 for Indication Purpose
0.2, 0.5 for Precise Measurement	1.0 for General Metering
5P / 10P for Protection and PS / PX for Special Purpose Protection	

CHARACTERISTIC

A Current Transformer converts an alternating current generally very high in a proportion to its transformation ratio. Measuring CT's convert the primary current, at the class of accuracy, as designed over a current range from 1 to 120% (as the case may be) of its rated primary current. The design of Measuring CT requires CT to perform within the limits of error as given by the standard specifications, when connected to its rated burden. Measuring CT advantageously saturates above the normal working range to protect an instrument connected against damages by limiting the secondary current during the fault that may appear in the system.

GUIDELINE FOR RATED BURDEN AND LIMITS OF PERMISSIBLE ERROR

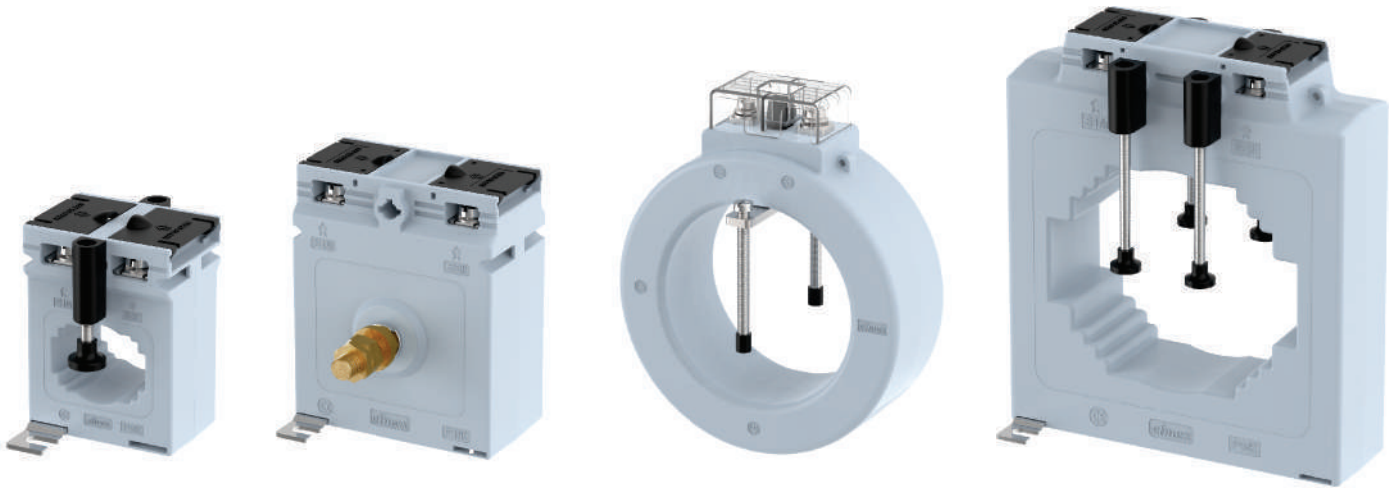
INSTRUMENT BURDEN*	
Type of Instrument	VA
Moving iron ammeter	1.0
Bimetal instruments (.../5A)	3.0
Wattmeter	5.5
Power factor meter	4.0
Current transducer	0.5
Power transducer	0.5
kWh-meter	2.5
Trivector meter	5.0

LIMITS OF RATIO ERROR & PHASE DISPLACEMENT AS PER IEC: 61869-2**											
Accuracy Class	± Percentage Current (Ratio) Error at % of Rated Current shown below						± Phase displacement - Minutes at % of Rated Current shown below				
	1	5	20	50	100	120	1	5	20	100	120
0.2	-	0.75	0.35	-	0.2	0.2	-	30	15	10	10
0.5	-	1.5	0.75	-	0.5	0.5	-	90	45	30	30
1.0	-	3.0	1.5	-	1.0	1.0	-	180	90	60	60
0.2S	0.75	0.35	0.2	-	0.2	0.2	30	15	10	10	10
0.5S	1.5	0.75	0.5	-	0.5	0.5	90	45	30	30	30
3.0	-	-	-	3.0	-	3.0	-	-	-	-	-
5.0	-	-	-	5.0	-	5.0	-	-	-	-	-

LEAD BURDEN OF A RESPECTIVE WIRE SIZE USED FOR CONNECTION [VA]**												
Cross Section mm ²	For CT having Secondary Current 1 Amp							For CT having Secondary Current 5 Amp				
	Distance between CT and Measuring Instrument / Device in meters											
	2 x 2	2 x 4	2 x 6	2 x 8	2 x 10	2 x 15	2 x 20	2 x 2	2 x 4	2 x 6	2 x 8	2 x 10
1.5	0.053	0.106	0.159	0.213	0.266	0.399	0.532	1.33	2.66	3.99	5.32	6.65
2.5	0.032	0.064	0.095	0.12	0.16	0.24	0.32	0.79	1.59	2.40	3.19	3.99
4.0	0.02	0.039	0.059	0.079	0.099	0.148	0.19	0.495	0.99	1.485	1.98	2.48
6.0	0.013	0.026	0.04	0.053	0.066	0.099	0.132	0.33	0.66	0.99	1.32	1.65

*The actual burden is normally declared by the manufacture | **Given data are for guidelines only

Advantages of 'elmex' Polycarbonate Encapsulated CTs



- Superior Aesthetics and Consistency of Dimensions
- Multiple Conductor Compatibility: Suitable for different size of Bus bars / conductors in the same CT
- Multiple Mounting Options: Suitable for Bus Bar Mounting as well as Panel Mounting
- Fire Retardant
- Embossed terminal Markings: Eliminates the risk of marking stickers peeling off
- Robust Construction: High Mechanical strength resulting in increased safety during transit
- **Finger Safe Operation for Secondary Terminal Connection with IP20**
- **Pin type lug up to 4 sq mm feasibility**
- Option of Terminal sealing: Provides protection from power theft
- Manufactured with State-of-Art processes complying to ISO:14001 and RoHS directive
- Ease of traceability

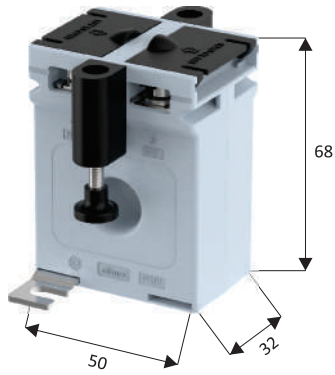


Certificate and Approvals



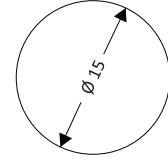
Window Opening suitable to the Conductor Size /Bus Bar Size as given below				Page No.	CAT. No.	Rated Current (Amp)	CT Size in mm		
1	2	3	4				Width	Height	Depth
WINDOW (BPL) / PLUG-IN TYPE									
15∅	20x10	30x10 / 25x10	-	7	ELP	30 to 500	50	68	32
15∅	21∅	30x10 / 25x10	-	8	ELPG	25 to 600	50	68	45
21∅	30x10 / 20x20	40x10 / 30x15	-	9	ELPH	30 to 800	62	80	31
20x10	30x10 / 20x20	40x10 / 30x15	-	10	ELPHN	25 to 800	62	80	50
30x10 / 20x20	40x10 / 30x15	40x10 / 2x30x10	-	11	ELPI	50 to 800	72	90	41
30x10 / 20x20	40x10 / 30x15	40x10 / 2x30x10	-	12	ELPIN	30 to 1000	72	90	50
30x10 / 20x20	40x10 / 30x15	40x10 / 2x30x10	-	13	ELPIA	50 to 800	72	90	60
30x10 / 20x20	40x10 / 30x15	50x10 / 2x40x10	-	14	ELPIM	50 to 1000	80	97	44
40x10 / 30x15	50x10 / 2x40x10	60x10 / 2x50x10	2x60x10 / 2x50x10	15 - 16	ELPJ	50 to 2000	89	106	41
40x10 / 30x15	50x10 / 2x40x10	60x10 / 2x50x10	2x60x10 / 2x50x10	17 - 18	ELPJN	100 to 2000	89	115	60
50x10 / 2x40x10	60x10 / 2x50x10	2x60x10 / 2x50x12	-	19	ELPK	100 to 2000	97	114	41
30x10 / 20x20	40x10 / 30x15	50x10 / 2x40x10	60x10 / 2x50x10	20 - 21	ELPKN	50 to 1600	97	114	60
60x10 / 2x50x10 / 2x40x10	80x12 / 2x60x10 / 3x50x10	-	-	22	ELPL	200 to 2000	106	123	41
2x80x10 / 3x60x10 / 3x50x10	2x100x10 / 3x80x10 / 3x70x12 / 4x60x10	-	-	23	ELPM	200 to 3200	140	160	41
2x80x10 / 3x60x10 / 3x50x12	90x10 / 2x70x10 / 2x50x12	-	-	24	ELPMY	200 to 4000	140	160	41
2x50x10	2x60x10	2x80x10	-	25	ELPN	300 to 2500	116	128	50
2x60x10	2x80x10	3x80x10	3x100x10	26 - 27	ELPO	250 to 5000	136	171	60
40x10 / 30x15	60x10 / 2x50x10	-	-	28	ELPP	60 to 2000	150	170	100
2x100x10	2x120x10	-	-	29	ELPR	300 to 4000	102	211	42
-	-	125x10 / 2x100x10	-	29	ELPRX	200 to 2500	192	121	42
3x100x10	3x130x10	-	-	30	ELPSY	250 to 5000	144	244	55
3x100x10	3x130x10	-	-	31	ELPSX	250 to 5000	224	164	55
4x150x10	4x200x10	-	-	32	ELPTY	600 to 7500	210	265	85
4x150x10	4x200x10	-	-	33	ELPTX	600 to 7500	245	230	85
WOUND PRIMARY TYPE (WPL)									
Being WPL CTs, suitable size of conductor to be used for primary connections corresponding to Rated Primary current				34	EWPHN	1 to 40	62	80	50
				34	EWPA	1 to 40	72	90	41
				34	EWPIA	1 to 40	72	90	60
				34	EWPB	30 to 150	80	97	44
Window Opening suitable to the Conductor Size /Bus Bar Size as given below				Page No.	CAT. No.	Rated Current (Amp)	CT Size in mm		
							ID	OD	Depth
RING TYPE									
20X10				35	EOPX	100 to 150	25	75	42
25X12 / 25X10 / 20x10				35	EOPA	50 to 200	30	80	42
30X15 / 30x12 / 30x10				35	EOPB	100 to 400	40	90	45
50X15 / 2x40x12				35	EOPC	200 to 800	55	105	45
2X60X10 / 2x50x15/ 3x40x10				36	EOPD	300 to 1000	70	110	40
2X80X12 / 3x70x10 / 3x60x12 / 3x50x10 / 3x40x15				36	EOPE	600 to 1500	90	142	42
2X100X12 / 3x90x12 / 4x80x10 / 4x70x10 / 4x60x12				36	EOPF	1000 to 3200	110	160	42

ELP1 (E 15.3)



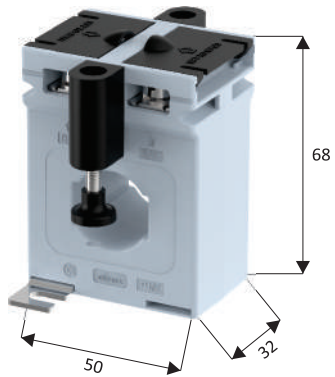
Class	0.5		1.0		3.0	
Ratio	Burden in VA					
30/5	-	-	-	-	1.5	-
40/5	-	-	1	-	1.5	2.5
50/5	-	-	1.5	-	2.5	3.75
60/5	-	-	1.5	-	2.5	3.75
75/5	-	-	1.5	-	2.5	5
80/5	-	-	2.5	-	3.75	5
100/5	1.5	-	3.75	5	5	10
125/5	1.5	2.5	3.75	5	5	10
150/5	2.5	3.75	3.75	5	7.5	10
200/5	2.5	3.75	5	7.5	7.5	10
250/5	3.75	5	5	7.5	7.5	10
300/5	3.75	5	5	7.5	7.5	10

1C Cable Size	Bus Bar Size
Up to 70 sq.mm	-



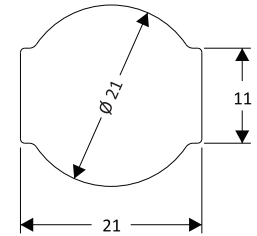
Din Rail Mounting Option Available

ELP2 (E 21.3)



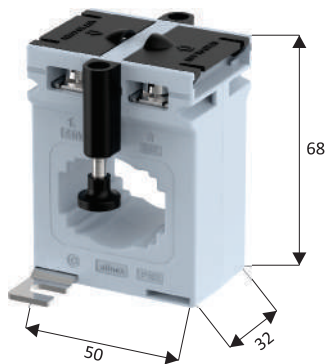
Class	0.5		1.0		3.0	
Ratio	Burden in VA					
30/5	-	-	-	-	1.5	-
40/5	-	-	1	-	1.5	-
50/5	-	-	1	-	2.5	-
60/5	-	-	1	-	2.5	-
75/5	-	-	1.5	-	2.5	3.75
80/5	-	-	1.5	-	2.5	3.75
100/5	1	-	2.5	-	3.75	7.5
125/5	2.5	-	3.75	-	5	7.5
150/5	2.5	-	5	-	7.5	10
200/5	2.5	-	5	-	7.5	10
250/5	3.75	-	5	-	7.5	10
300/5	3.75	-	5	7.5	7.5	10
400/5	5	-	5	7.5	7.5	10
500/5	7.5	-	7.5	10	7.5	10

1C Cable Size	Bus Bar Size
Up to 150 sq.mm	20x10 mm



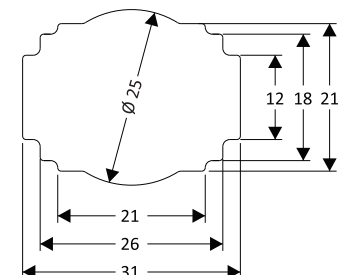
Din Rail Mounting Option Available

ELP3 (E 31.3)



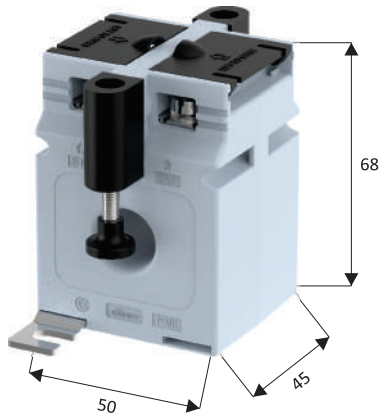
Class	0.5		1.0		3.0	
Ratio	Burden in VA					
75/5	-	-	1	-	1.5	2.5
80/5	-	-	1	-	1.5	2.5
100/5	-	-	1.5	-	2.5	5
125/5	-	-	1.5	2.5	2.5	5
150/5	1	-	1.5	2.5	3.75	7.5
200/5	1	1.5	2.5	3.75	5	7.5
250/5	1.5	2.5	2.5	3.75	5	10
300/5	1.5	2.5	2.5	3.75	5	10
400/5	2.5	3.75	3.75	5	7.5	10
500/5	2.5	3.75	3.75	5	7.5	10

1C Cable Size	Bus Bar Size
Up to 240 sq.mm	30x10 mm
-	25x10 mm



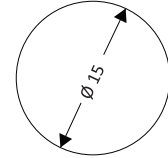
Din Rail Mounting Option Available

ELPG1 (EG 15.4)



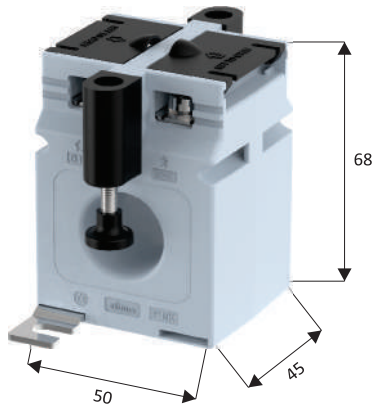
Class	0.5		1.0			3.0	
Ratio	Burden in VA						
25/5	-	-	-	-	-	1.5	-
30/5	-	-	1	-	-	1.5	2.5
40/5	-	-	1	1.5	-	2.5	3.75
50/5	-	-	1.5	2.5	-	2.5	5
60/5	1.5	-	1.5	2.5	3.75	3.75	7.5
75/5	2.5	-	3.75	-	-	5	7.5
100/5	2.5	5	5	7.5	-	7.5	15
125/5	3.75	5	7.5	10	-	10	15
150/5	5	7.5	10	15	-	12.5	20
200/5	-	-	5	-	-	-	-
250/5	-	-	7.5	-	-	-	-
300/5	-	-	10	-	-	-	-

1C Cable Size	Bus Bar Size
Up to 70 sq.mm	-



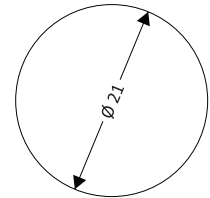
Din Rail Mounting Option Available

ELPG2 (EG 21.4)



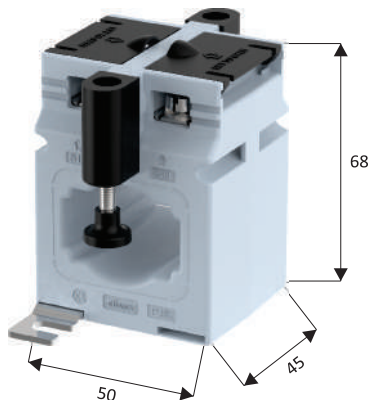
Class	0.5		1.0		3.0	
Ratio	Burden in VA					
25/5	-	-	-	-	1	1.5
30/5	-	-	-	-	1.5	-
40/5	-	-	-	-	2.5	-
50/5	1	-	1.5	-	2.5	3.75
60/5	1	-	1.5	-	2.5	5
75/5	1.5	-	1.5	2.5	2.5	5
100/5	1.5	2.5	3.75	5	5	10
125/5	2.5	5	5	7.5	7.5	10
150/5	2.5	5	5	7.5	7.5	10
200/5	7.5	-	7.5	10	12.5	-
250/5	10	-	15	-	20	-
300/5	10	-	15	-	20	-
400/5	15	-	20	-	20	-
500/5	15	-	20	-	20	-
600/5	15	-	20	-	20	-

1C Cable Size	Bus Bar Size
Up to 150 sq.mm	-



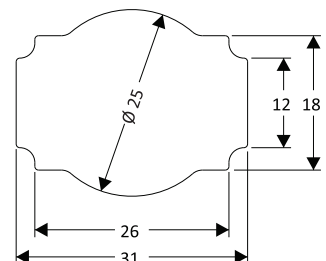
Din Rail Mounting Option Available

ELPG3 (EG 31.4)



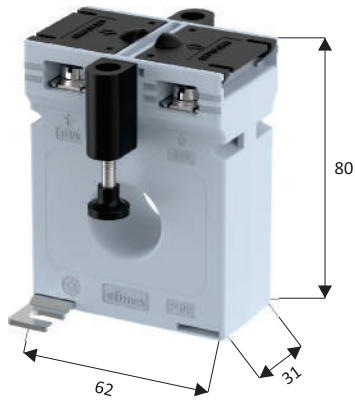
Class	0.5		1.0		3.0	
Ratio	Burden in VA					
50/5	-	-	-	-	2.5	-
60/5	-	-	1	-	2.5	-
75/5	1	-	1	1.5	2.5	5
100/5	1.5	2.5	2.5	3.75	2.5	7.5
125/5	1.5	2.5	2.5	5	7.5	-
150/5	2.5	-	3.75	5	10	-
200/5	3.75	-	2.5	5	7.5	-
250/5	5	-	5	7.5	10	-
300/5	5	-	5	7.5	10	-
400/5	5	7.5	5	10	12.5	-
500/5	7.5	-	10	15	12.5	-
600/5	10	-	10	15	20	-

1C Cable Size	Bus Bar Size
Up to 240 sq.mm	30x10 mm
-	25x10 mm



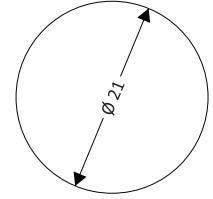
Din Rail Mounting Option Available

ELPH1 (EH 21.3)



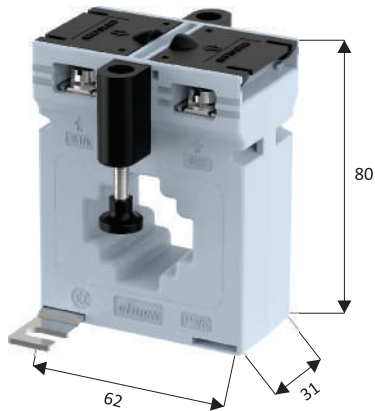
Class	0.5		1.0		3.0	
Ratio	Burden in VA					
30/5	-	-	-	-	-	2.5
40/5	-	-	1	-	-	2.5
50/5	-	-	1	1.5	-	3.75
60/5	1	-	1	1.5	-	3.75
75/5	1.5	-	1.5	2.5	-	5
100/5	1.5	2.5	2.5	3.75	5	10
125/5	2.5	5	3.75	7.5	-	10
150/5	2.5	5	5	7.5	-	15
200/5	5	7.5	7.5	10	-	10
250/5	10	-	12.5	15	-	15
300/5	10	-	10	15	-	20
400/5	15	-	20	-	-	20
500/5	15	-	20	-	-	20
600/5	15	-	20	-	-	20

1C Cable Size	Bus Bar Size
Up to 150 sq.mm	-



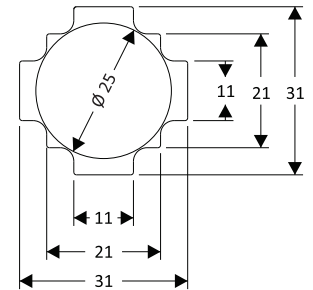
Din Rail Mounting Option Available

ELPH2 (EH 31.3)



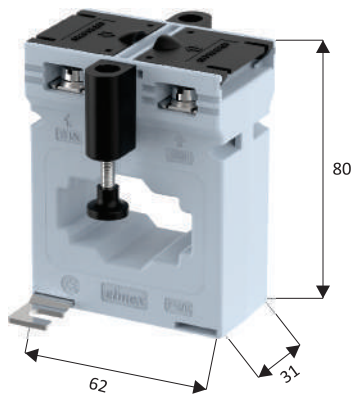
Class	0.5		1.0		3.0	
Ratio	Burden in VA					
40/5	-	-	-	-	1.5	-
50/5	-	-	1	-	1.5	2.5
60/5	-	-	1.25	-	2.5	-
75/5	-	-	1.5	-	3.75	5
100/5	1.5	2.5	3.75	-	5	7.5
125/5	1.5	2.5	3.75	5	7.5	-
150/5	2.5	-	3.75	5	5	7.5
200/5	2.5	3.75	3.75	5	7.5	-
250/5	5	-	5	7.5	10	-
300/5	5	-	7.5	-	10	-
400/5	7.5	-	5	10	12.5	-
500/5	7.5	-	5	10	12.5	-
600/5	10	-	15	-	20	-

1C Cable Size	Bus Bar Size
Up to 240 sq.mm	30x10 mm
-	20x20 mm



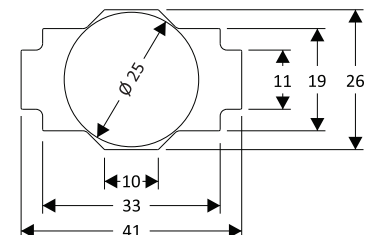
Din Rail Mounting Option Available

ELPH3 (EH 41.3)



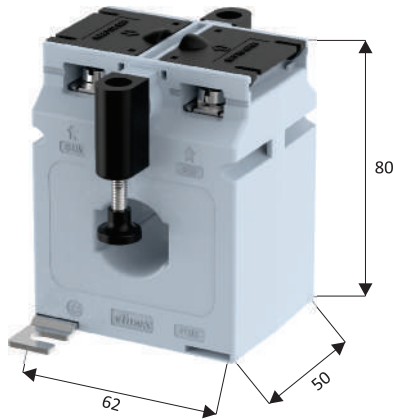
Class	0.5		1.0		3.0	
Ratio	Burden in VA					
100/5	-	1.5	-	2.5	-	-
125/5	-	1.5	-	2.5	-	-
150/5	1.5	2.5	-	3.75	-	-
200/5	1.5	2.5	-	3.75	-	-
250/5	2.5	2.5	3.75	5	-	-
300/5	2.5	3.75	-	5	-	-
400/5	3.75	5	-	7.5	-	-
500/5	5	5	7.5	10	-	-
600/5	5	5	7.5	10	-	-
800/5	7.5	5	10	12.5	-	-

1C Cable Size	Bus Bar Size
Up to 240 sq.mm	40x10 mm
-	30x15 mm
-	20x10 mm



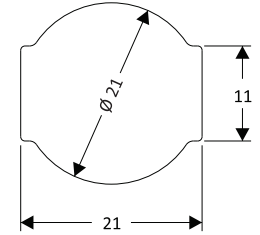
Din Rail Mounting Option Available

ELPHN1 (EHN 21.5)

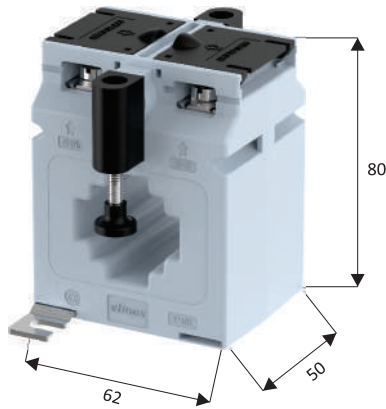


Class	0.5		1.0		3.0	
Ratio	Burden in VA					
25/5	-	-	-	-	2.5	-
30/5	-	-	-	-	2.5	-
40/5	-	-	1.5	-	2.5	3.75
50/5	-	-	1.5	2.5	2.5	5
60/5	-	-	2.5	3.75	5	7.5
75/5	2.5	-	3.75	5	10	-
100/5	2.5	5	5	10	10	15
125/5	2.5	7.5	7.5	10	10	20
150/5	5	10	10	15	12.5	20
200/5	12.5	-	15	-	20	-
250/5	15	-	20	-	25	-
300/5	15	-	20	-	25	-
400/5	20	-	25	-	30	-
500/5	25	-	30	-	30	-
600/5	25	-	30	-	30	-

1C Cable Size	Bus Bar Size
Up to 150 sq.mm	20x10 mm

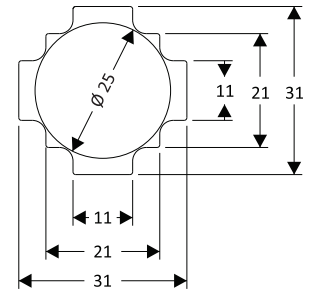


ELPHN2 (EHN 31.5)

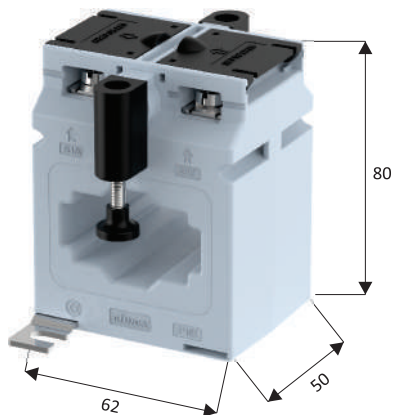


Class	0.5		1.0		3.0	
Ratio	Burden in VA					
30/5	-	-	-	-	1	-
40/5	-	-	-	-	2.5	-
50/5	-	-	1.5	-	2.5	3.75
60/5	-	-	1.5	2.5	2.5	5
75/5	-	-	2.5	3.75	3.75	7.5
100/5	2.5	5	5	7.5	5	10
125/5	2.5	5	5	7.5	7.5	10
150/5	2.5	5	7.5	10	10	15
200/5	5	7.5	10	-	12.5	-
250/5	10	-	10	15	20	-
300/5	10	-	15	-	20	-
400/5	10	15	15	20	25	-
500/5	10	15	15	20	25	-
600/5	20	-	25	-	30	-
800/5	25	-	30	-	30	-

1C Cable Size	Bus Bar Size
Up to 240 sq.mm	30x10 mm
-	20x20 mm

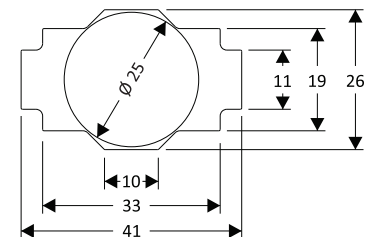


ELPHN3 (EHN 41.5)

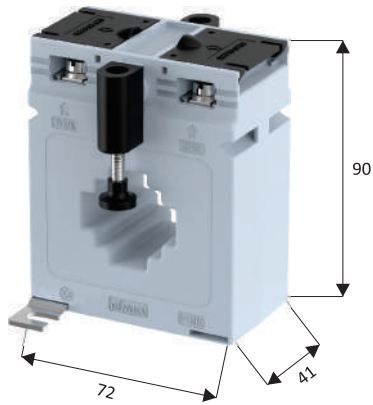


Class	0.5		1.0		3.0	
Ratio	Burden in VA					
75/5	-	1	1.5	-	1.5	-
100/5	-	1.5	3.75	-	2.5	-
125/5	-	2.5	5	-	3.75	-
150/5	-	3.75	5	-	5	-
200/5	2.5	5	7.5	-	10	-
250/5	3.75	5	7.5	-	10	-
300/5	5	7.5	10	-	12.5	-
400/5	5	5	10	15	20	-
500/5	7.5	5	10	15	20	-
600/5	10	10	15	-	20	-
800/5	10	10	20	-	20	-

1C Cable Size	Bus Bar Size
Up to 240 sq.mm	40x10 mm
-	30x15 mm
-	20x10 mm

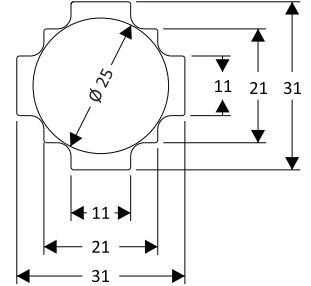


ELPI1 (EI 31.4)

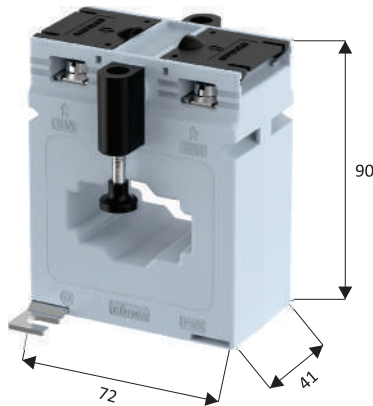


Class	Burden in VA	
	0.5	1.0
50/5	1	1.5
60/5	1	2.5
75/5	2.5	3.75
100/5	2.5	5
125/5	2.5	5
150/5	5	10
200/5	7.5	10
250/5	7.5	10
300/5	10	12.5
400/5	12.5	15
500/5	12.5	15
600/5	15	20
800/5	20	30

1C Cable Size	Bus Bar Size
Up to 240 sq.mm	30x10 mm
-	20x20 mm

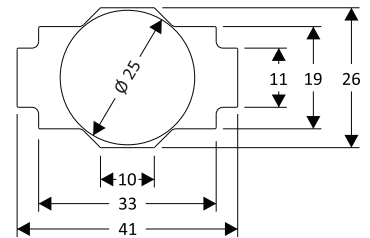


ELPI2 (EI 41.4)

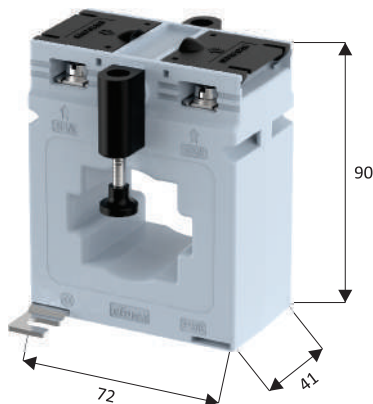


Class	Burden in VA	
	0.5	1.0
50/5	-	1
60/5	-	1.5
75/5	-	1.5
100/5	1.5	3.75
125/5	1.5	3.75
150/5	2.5	5
200/5	2.5	7.5
250/5	5	7.5
300/5	5	10
400/5	10	12.5
500/5	10	12.5
600/5	10	15
800/5	10	12.5

1C Cable Size	Bus Bar Size
Up to 240 sq.mm	40x10 mm
-	30x15 mm
-	20x10 mm

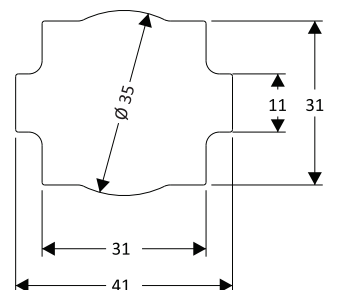


ELPI3 (EI 41.4N)

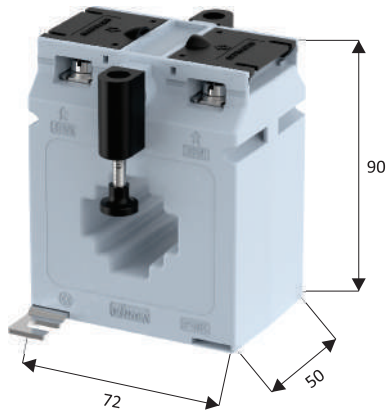


Class	Burden in VA	
	0.5	1.0
150/5	1.5	2.5
200/5	1.5	2.5
250/5	2.5	3.75
300/5	2.5	5
400/5	3.75	5
500/5	3.75	5

1C Cable Size	Bus Bar Size
Up to 400 sq.mm	40x10 mm
-	2x30x10 mm

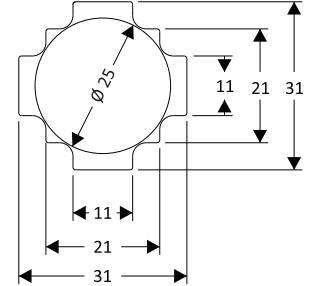


ELPIN1 (EIN 31.5)

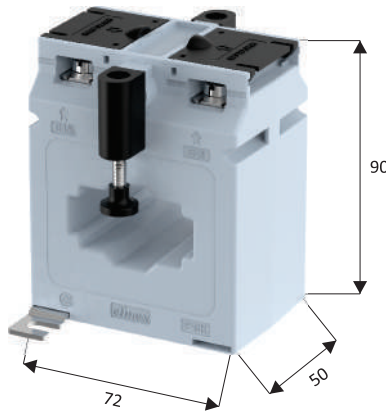


Class	0.5	1.0
Ratio	Burden in VA	
30/5	-	1
40/5	-	1.5
50/5	1	2.5
60/5	1.5	3.75
75/5	2.5	5
100/5	5	7.5
125/5	5	7.5
150/5	10	12.5
200/5	10	15
250/5	10	15
300/5	12.5	15
400/5	15	20
500/5	15	25
600/5	20	30
800/5	20	35

1C Cable Size	Bus Bar Size
Up to 240 sq.mm	30x10 mm
-	20x20 mm

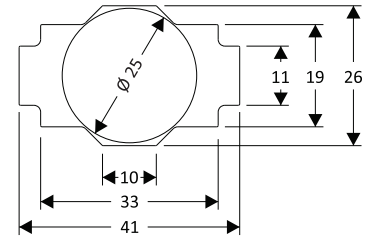


ELPIN2 (EIN 41.5)

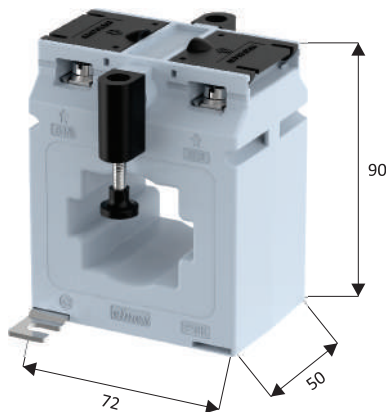


Class	0.5	1.0
Ratio	Burden in VA	
50/5	-	1
60/5	-	1.5
75/5	1.5	2.5
100/5	2.5	3.75
125/5	2.5	3.75
150/5	5	7.5
200/5	7.5	10
250/5	10	12.5
300/5	10	12.5
400/5	15	20
500/5	12.5	15
600/5	15	20
800/5	15	20
1000/5	15	20

1C Cable Size	Bus Bar Size
Up to 240 sq.mm	40x10 mm
-	30x15 mm
-	20x10 mm

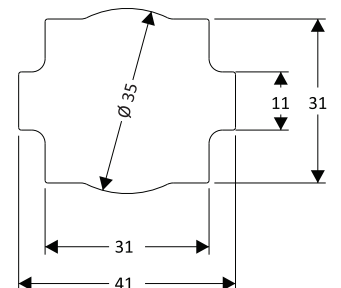


ELPIN3 (EIN 41.5N)

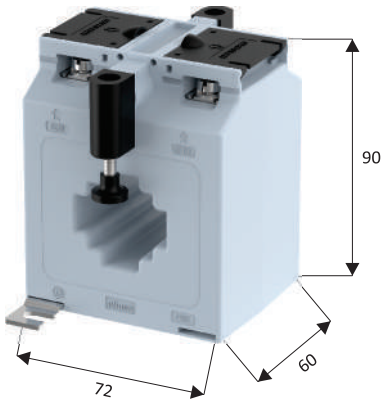


Class	0.5	1.0
Ratio	Burden in VA	
125/5	-	1.5
150/5	1.5	2.5
200/5	2.5	3.75
250/5	2.5	3.75
300/5	3.75	5
400/5	5	7.5
500/5	5	7.5

1C Cable Size	Bus Bar Size
Up to 400 sq.mm	40x10 mm
-	2x30x10 mm

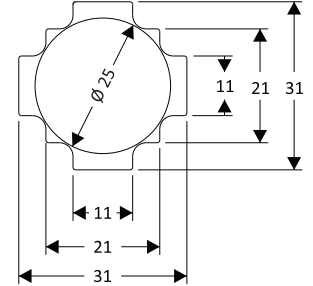


ELPIA1 (EIA 31.6)

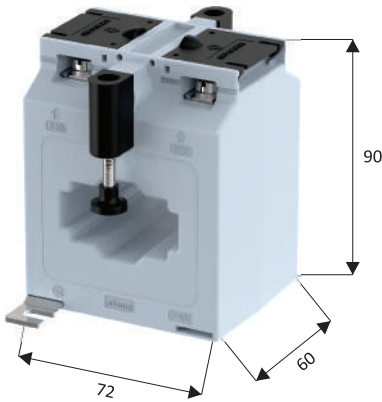


Class	0.5	1.0
	Burden in VA	
50/5	1	2.5
60/5	1.5	3.75
75/5	2.5	5
100/5	5	10
125/5	5	10
150/5	10	15
200/5	15	20
250/5	15	20
300/5	15	20
400/5	20	25
500/5	25	30
600/5	25	35
800/5	30	40

1C Cable Size	Bus Bar Size
Up to 240 sq.mm	30x10 mm
-	20x20 mm

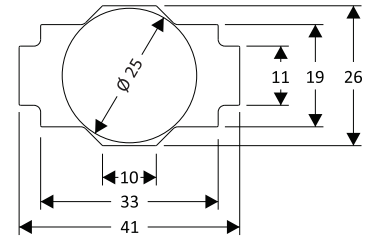


ELPIA2 (EIA 41.6)

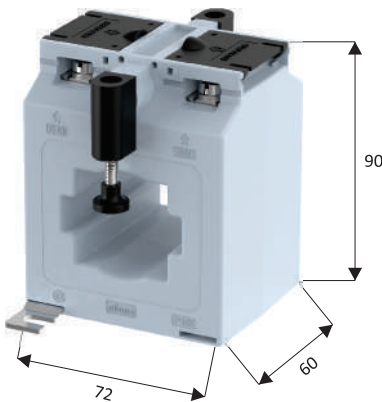


Class	0.5	1.0
	Burden in VA	
50/5	-	1.5
60/5	-	1.5
75/5	-	2.5
100/5	3.75	5
125/5	3.75	5
150/5	7.5	10
200/5	10	12.5
250/5	12.5	15
300/5	12.5	15
400/5	15	20
500/5	20	25
600/5	20	30
800/5	20	25

1C Cable Size	Bus Bar Size
Up to 240 sq.mm	40x10 mm
-	30x15 mm
-	20x10 mm

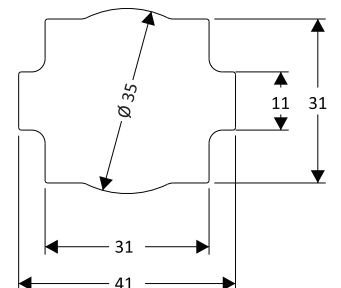


ELPIA3 (EIA 41.6N)

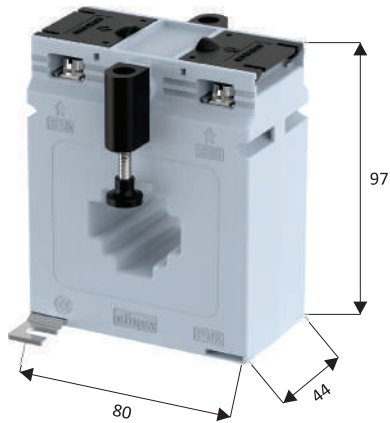


Class	0.5	1.0
	Burden in VA	
125/5	1.5	2.5
150/5	2.5	3.75
200/5	3.75	5
250/5	3.75	5
300/5	5	7.5
400/5	5	7.5
500/5	7.5	10

1C Cable Size	Bus Bar Size
Up to 400 sq.mm	40x10 mm
-	2x30x10 mm

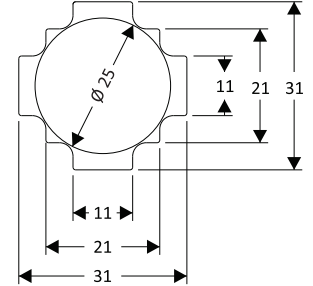


ELPIM1 (EIM 31.4)

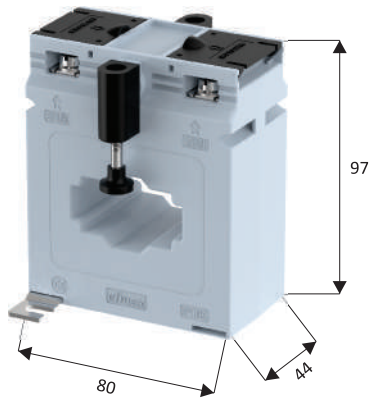


Class	0.5		1.0	
Ratio	Burden in VA			
50/5	-	-	2.5	-
60/5	-	-	2.5	3.75
75/5	2.5	-	5	-
100/5	3.75	5	7.5	-
125/5	7.5	-	12.5	-
150/5	10	-	15	-
200/5	10	-	12.5	-
250/5	12.5	-	15	-
300/5	15	-	20	-
400/5	15	-	20	-
500/5	20	-	25	-
600/5	20	-	30	-

1C Cable Size	Bus Bar Size
Up to 240 sq.mm	30x10 mm
-	20x20 mm

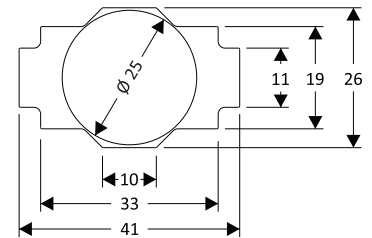


ELPIM2 (EIM 41.4)

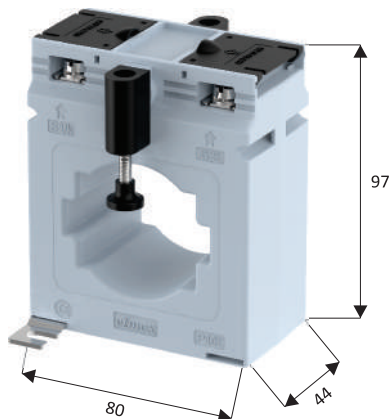


Class	0.5		1.0	
Ratio	Burden in VA			
75/5	-	1.5	2.5	-
100/5	2.5	5	-	-
125/5	5	7.5	-	-
150/5	5	10	-	-
200/5	7.5	10	-	-
250/5	10	12.5	-	-
300/5	10	15	-	-
400/5	12.5	15	-	-
500/5	15	20	-	-
600/5	15	20	-	-
800/5	15	20	-	-
1000/5	20	25	-	-

1C Cable Size	Bus Bar Size
Up to 240 sq.mm	40x10 mm
-	30x15 mm
-	20x10 mm

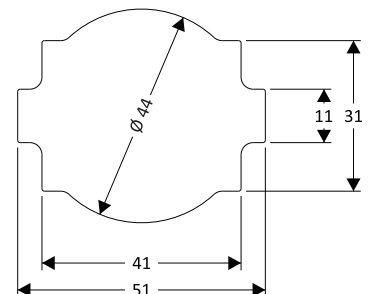


ELPIM3 (EIM 51.4)

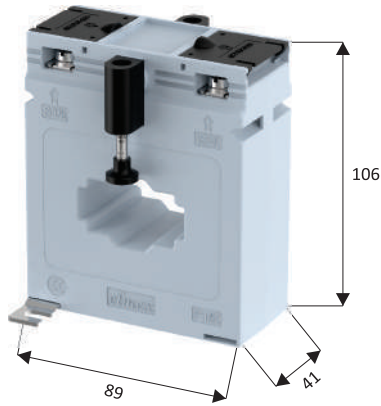


Class	0.5		1.0	
Ratio	Burden in VA			
100/5	-	-	2.5	-
125/5	-	-	2.5	-
150/5	2.5	-	3.75	5
200/5	2.5	3.75	5	-
250/5	5	-	5	-
300/5	5	-	5	-
400/5	5	-	10	-
500/5	7.5	-	10	-
600/5	10	-	15	-
800/5	10	-	15	-
1000/5	15	-	20	-

1C Cable Size	Bus Bar Size
Up to 630 sq.mm	50x10 mm
-	2x40x10 mm
-	2x30x10 mm

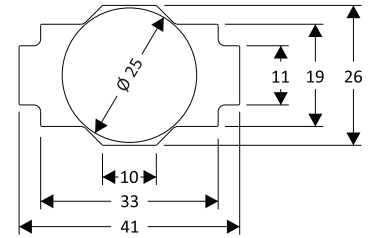


ELPJ1 (EJ 41.4)

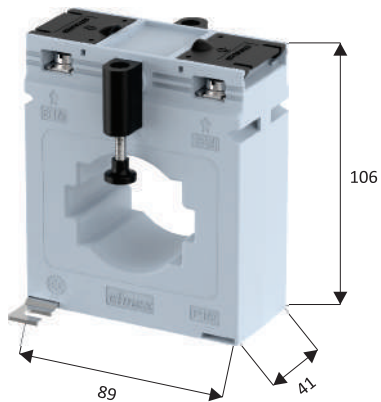


Class	0.5		1.0	
	Burden in VA			
50/5	-	-	1.5	-
60/5	1.5	-	2.5	-
75/5	1.5	-	3.75	-
100/5	2.5	-	3.75	5
125/5	5	-	5	7.5
150/5	5	7.5	5	10
200/5	10	-	15	-
250/5	12.5	-	15	-
300/5	15	-	20	-
400/5	25	-	30	-
500/5	30	-	35	-
600/5	30	-	35	-
800/5	30	-	40	-
1000/5	40	-	50	-

1C Cable Size	Bus Bar Size
Up to 240 sq.mm	40x10 mm
-	30x15 mm
-	20x10 mm

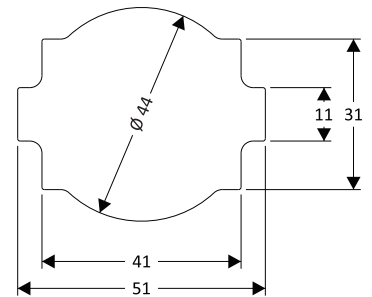


ELPJ2 (EJ 51.4)

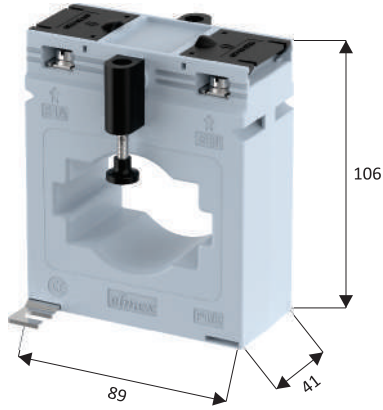


Class	0.5		1.0	
	Burden in VA			
100/5	1.5	-	2.5	-
125/5	1.5	-	2.5	-
150/5	3.75	5	7.5	-
200/5	7.5	-	10	-
250/5	10	-	10	12.5
300/5	10	-	12.5	15
400/5	10	12.5	15	-
500/5	15	-	20	-
600/5	20	-	15	25
800/5	15	20	15	30
1000/5	20	-	30	-
1200/5	25	-	30	-
1250/5	25	-	30	-

1C Cable Size	Bus Bar Size
Up to 630 sq.mm	50x10 mm
-	2x40x10 mm
-	2x30x10 mm

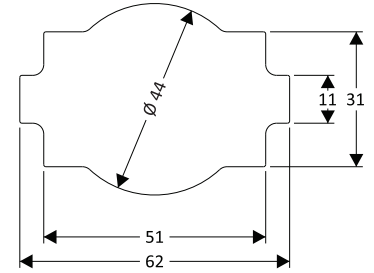


ELPJ3 (EJ 62.4)

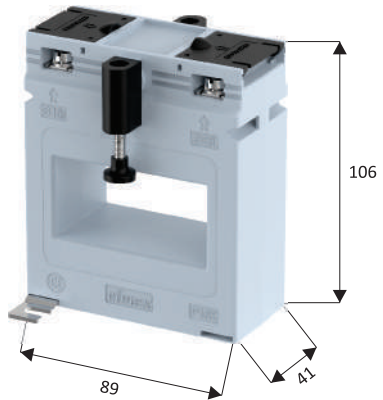


Class	0.5		1.0	
	Burden in VA			
200/5	-	-	3.75	-
250/5	2.5	-	5	-
300/5	3.75	-	5	-
400/5	5	-	5	7.5
500/5	5	7.5	5	10
600/5	5	7.5	5	10
800/5	10	-	10	12.5
1000/5	10	12.5	12.5	15
1200/5	15	-	20	-
1250/5	12.5	-	20	-

1C Cable Size	Bus Bar Size
Up to 630 sq.mm	60x10 mm
-	2x50x10 mm



ELPJ4 (EJ 62*2.4)

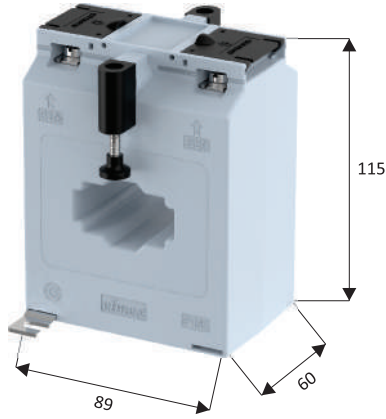


Class	0.5		1.0	
	Burden in VA			
200/5	3.75	-	5	-
250/5	5	-	7.5	-
300/5	5	-	5	7.5
400/5	10	-	5	10
500/5	10	-	10	15
600/5	10	15	10	15
800/5	15	-	10	15
1000/5	15	20	10	15
1200/5	25	-	15	30
1250/5	20	-	15	30
1500/5	30	-	35	-
1600/5	15	25	15	25
1800/5	30	-	35	-
2000/5	30	-	35	-

1C Cable Size	Bus Bar Size
Up to 300 sq.mm	2x60x10 mm
-	2x50x10 mm

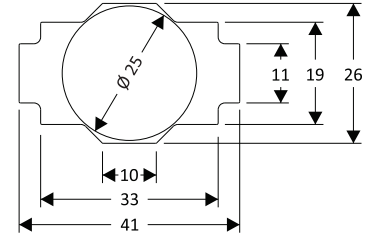


ELPJN1 (EJN 41.6)

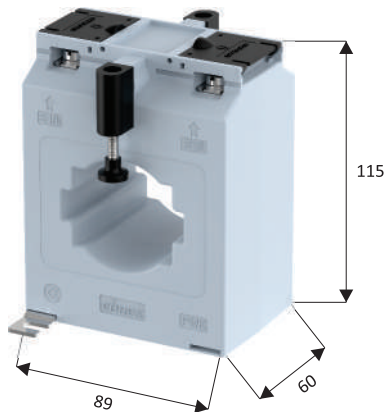


Class	0.5	1.0
Ratio	Burden in VA	
100/5	3.75	5
125/5	5	10
150/5	7.5	15
200/5	15	20
250/5	20	25
300/5	20	25
400/5	30	35
500/5	35	45
600/5	35	45
800/5	50	60
1000/5	50	60

1C Cable Size	Bus Bar Size
Up to 240 sq.mm	40x10 mm
-	30x15 mm
-	20x10 mm

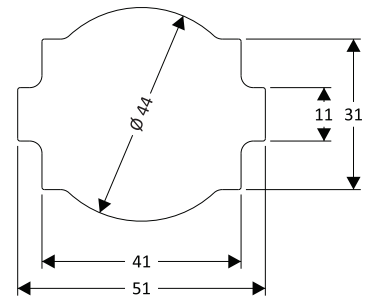


ELPJN2 (EJN 51.6)

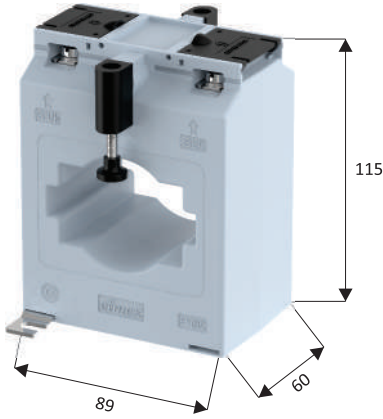


Class	0.5	1.0
Ratio	Burden in VA	
100/5	2.5	3.75
125/5	2.5	3.75
150/5	5	7.5
200/5	10	15
250/5	15	20
300/5	15	20
400/5	20	25
500/5	20	25
600/5	25	30
800/5	30	35
1000/5	30	35
1200/5	30	35
1250/5	30	35

1C Cable Size	Bus Bar Size
Up to 630 sq.mm	50x10 mm
-	2x40x10 mm
-	2x30x10 mm

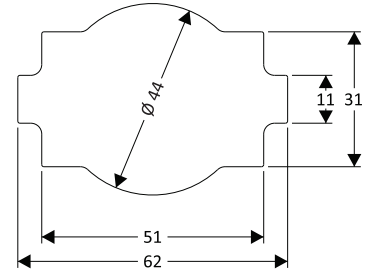


ELPJN3 (EJN 62.6)

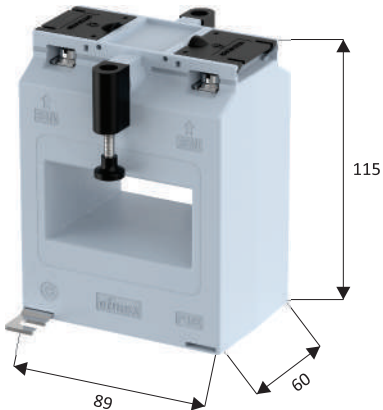


Class	0.5	1.0
Ratio	Burden in VA	
200/5	-	5
250/5	5	7.5
300/5	5	7.5
400/5	7.5	10
500/5	7.5	10
600/5	10	12.5
800/5	10	15
1000/5	15	20
1200/5	20	25
1250/5	20	25
1500/5	20	25

1C Cable Size	Bus Bar Size
Up to 630 sq.mm	60x10 mm
-	2x50x10 mm

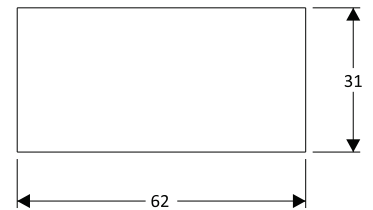


ELPJN4 (EJN 62*2.6)

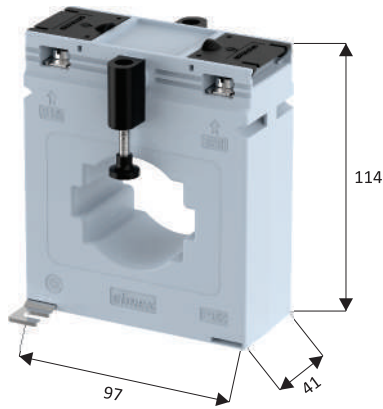


Class	0.5	1.0
Ratio	Burden in VA	
200/5	7.5	10
250/5	10	12.5
300/5	12.5	15
400/5	15	20
500/5	20	25
600/5	20	25
800/5	20	25
1000/5	25	30
1200/5	25	30
1250/5	25	30
1500/5	30	40
1600/5	30	40
1800/5	30	40
2000/5	30	40

1C Cable Size	Bus Bar Size
Up to 300 sq.mm	2x60x10 mm
-	2x50x10 mm

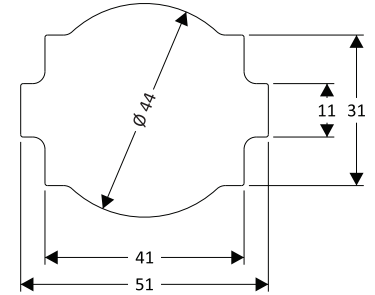


ELPK1 (EK 51.4)

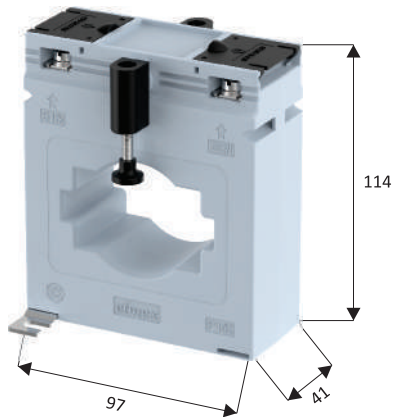


Class Ratio	Burden in VA	
	0.5	1.0
100/5	1.5	3.75
125/5	1.5	3.75
150/5	5	7.5
200/5	7.5	12.5
250/5	10	15
300/5	12.5	15
400/5	12.5	15
500/5	15	20
600/5	20	25
800/5	30	35
1000/5	30	35
1200/5	35	45
1250/5	35	45

1C Cable Size	Bus Bar Size
Up to 630 sq.mm	50x10 mm
-	2x40x10 mm
-	2x30x10 mm

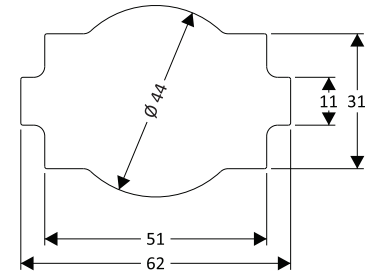


ELPK2 (EK 62.4)

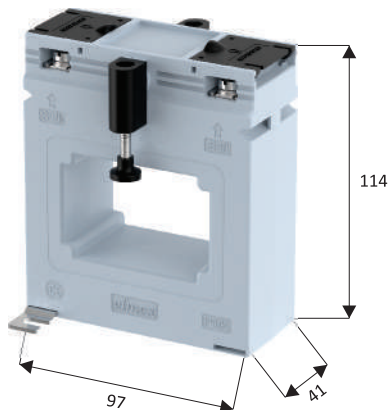


Class Ratio	Burden in VA	
	0.5	1.0
100/5	-	2.5
125/5	3.75	3.75
150/5	2.5	5
200/5	5	7.5
250/5	7.5	10
300/5	10	12.5
400/5	7.5	10
500/5	12.5	15
600/5	15	20
800/5	20	25
1000/5	20	25
1200/5	15	20
1250/5	15	20
1500/5	20	25
1600/5	20	25

1C Cable Size	Bus Bar Size
Up to 630 sq.mm	60x10 mm
-	2x50x10 mm

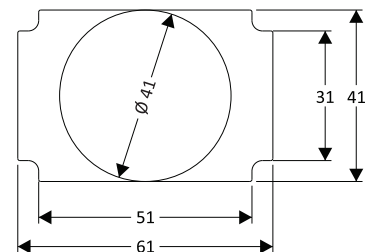


ELPK3 (EK 61*2.4)

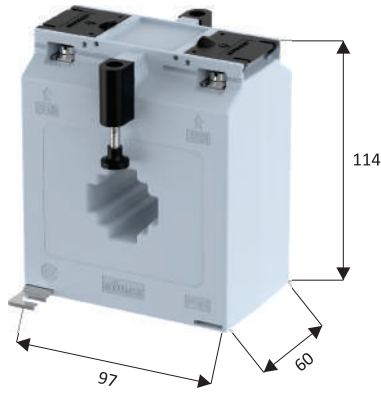


Class Ratio	Burden in VA	
	0.5	1.0
150/5	1.5	2.5
200/5	2.5	3.75
250/5	2.5	3.75
300/5	3.75	5
400/5	3.75	5
500/5	5	7.5
600/5	5	7.5
800/5	7.5	10
1000/5	10	12.5
1200/5	10	15
1250/5	10	15
1500/5	15	20
1600/5	15	20
1800/5	20	25
2000/5	20	25

1C Cable Size	Bus Bar Size
Up to 630 sq.mm	2x60x10 mm
-	2x50x12 mm

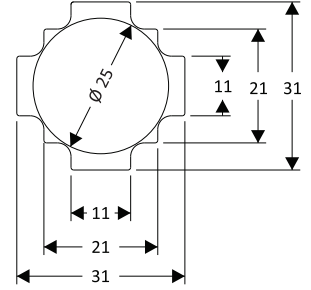


ELPKN1 (EKN 31.6)

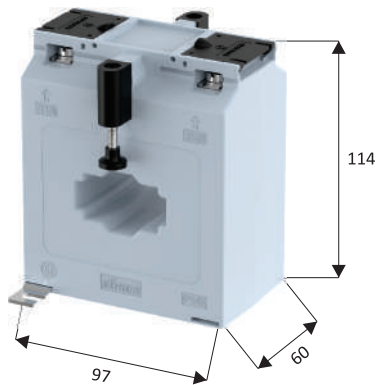


Class	0.5	1.0
Ratio	Burden in VA	
50/5	1.5	2.5
60/5	1.5	3.75
75/5	2.5	5
100/5	7.5	10
125/5	10	15
150/5	12.5	20
200/5	20	30
250/5	25	35
300/5	30	40
400/5	40	50
500/5	40	50
600/5	40	50

1C Cable Size	Bus Bar Size
Up to 240 sq.mm	30x10 mm
-	20x20 mm

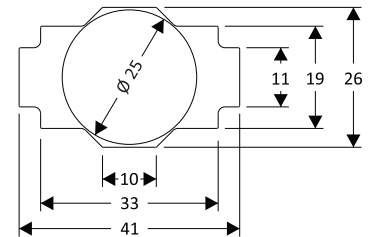


ELPKN2 (EKN 41.6)

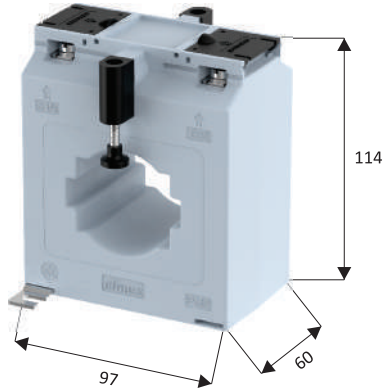


Class	0.5	1.0
Ratio	Burden in VA	
50/5	-	1.5
60/5	1.5	2.5
75/5	2.5	3.75
100/5	5	10
125/5	7.5	15
150/5	7.5	15
200/5	15	25
250/5	20	25
300/5	25	30
400/5	30	40
500/5	40	50
600/5	40	50
800/5	50	60
1000/5	50	60

1C Cable Size	Bus Bar Size
Up to 240 sq.mm	40x10 mm
-	30x15 mm
-	20x10 mm

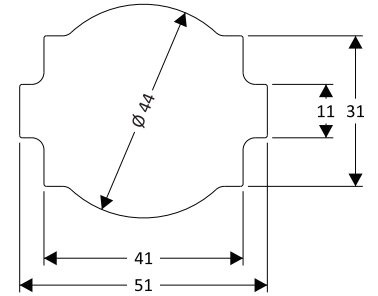


ELPKN3 (EKN 51.6)

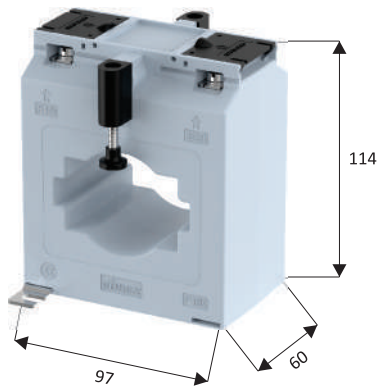


Class	0.5	1.0
Ratio	Burden in VA	
100/5	3.75	5
125/5	5	7.5
150/5	5	10
200/5	10	20
250/5	15	20
300/5	20	25
400/5	20	25
500/5	25	30
600/5	30	35
800/5	35	45
1000/5	40	50
1200/5	50	60
1250/5	50	60

1C Cable Size	Bus Bar Size
Up to 630 sq.mm	50x10 mm
-	2x40x10 mm
-	2x30x10 mm

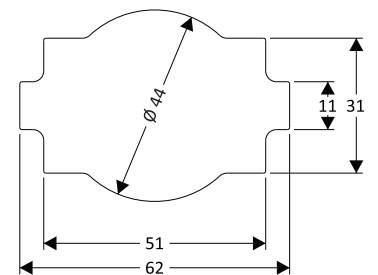


ELPKN4 (EKN 62.6)

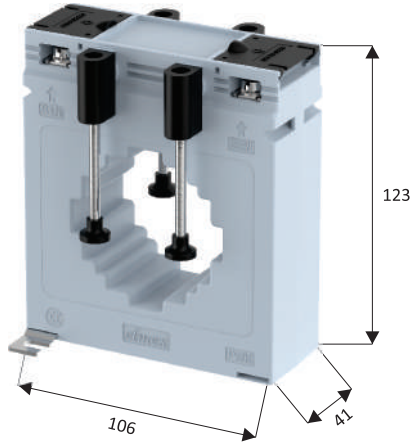


Class	0.5	1.0
Ratio	Burden in VA	
100/5	1.5	3.75
125/5	2.5	5
150/5	5	7.5
200/5	7.5	12.5
250/5	10	15
300/5	15	20
400/5	15	20
500/5	20	20
600/5	20	30
800/5	20	30
1000/5	30	40
1200/5	25	30
1250/5	25	30
1500/5	30	35
1600/5	30	40

1C Cable Size	Bus Bar Size
Up to 630 sq.mm	60x10 mm
-	2x50x10 mm

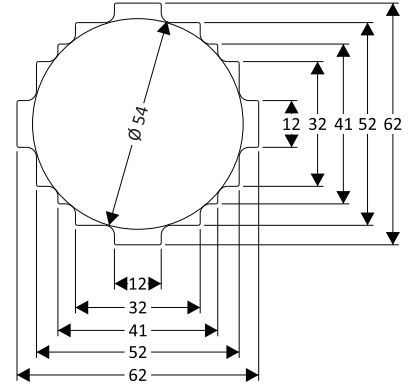


ELPL1 (EL 62.4)

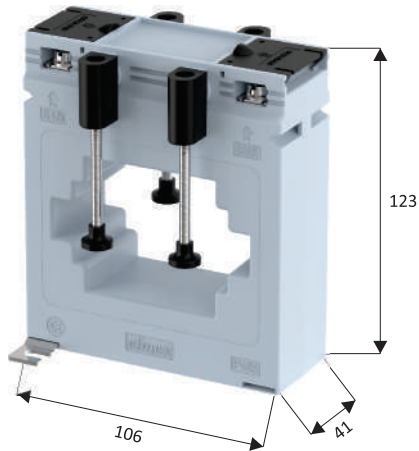


Class	0.5	1.0
Ratio	Burden in VA	
200/5	10	12.5
250/5	10	15
300/5	10	15
400/5	10	15
500/5	15	20
600/5	20	25
800/5	25	30
1000/5	30	35
1200/5	30	45
1250/5	30	45
1500/5	40	45
1600/5	20	25
1800/5	20	30
2000/5	20	30

1C Cable Size	Bus Bar Size
Up to 1000 sq.mm	60x10 mm
-	2x50x10 mm
-	2x40x10 mm

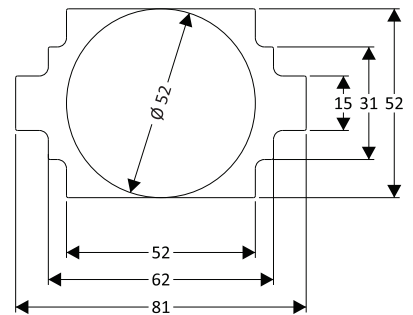


ELPL2 (EL 81.4)

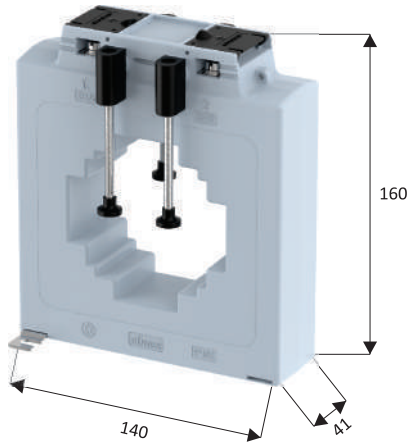


Class	0.5	1.0
Ratio	Burden in VA	
200/5	2.5	3.75
250/5	3.75	5
300/5	3.75	5
400/5	5	7.5
500/5	7.5	10
600/5	7.5	10
800/5	10	15
1000/5	10	15
1200/5	15	20
1250/5	15	20
1500/5	15	25
1600/5	15	20
1800/5	15	20
2000/5	15	20

1C Cable Size	Bus Bar Size
Up to 1000 sq.mm	80x12 mm
-	2x60x10 mm
-	3x50x10 mm

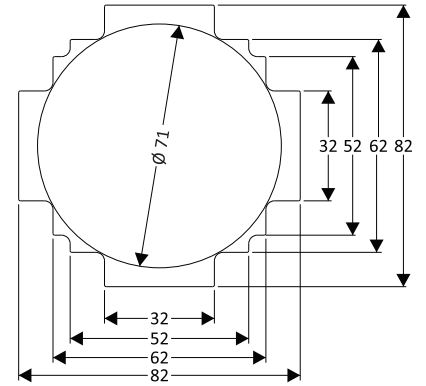


ELPM1 (EM 82*2.4)

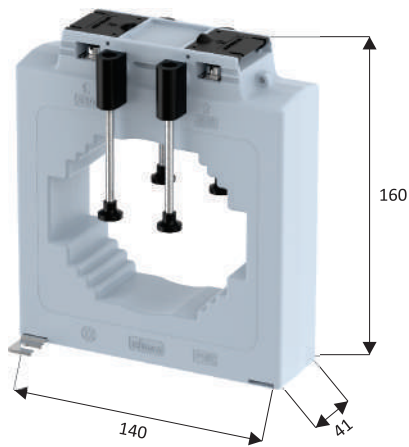


Class	0.5	1.0
Ratio	Burden in VA	
200/5	5	7.5
250/5	5	7.5
300/5	10	15
400/5	10	15
500/5	15	20
600/5	25	30
800/5	25	30
1000/5	30	40
1200/5	35	40
1250/5	35	40
1500/5	35	40
1600/5	35	40
1800/5	40	45
2000/5	45	50
2500/5	40	45

1C Cable Size	Bus Bar Size
Up to 1000 sq.mm	2x80x10 mm
-	3x60x10 mm
-	3x50x10 mm

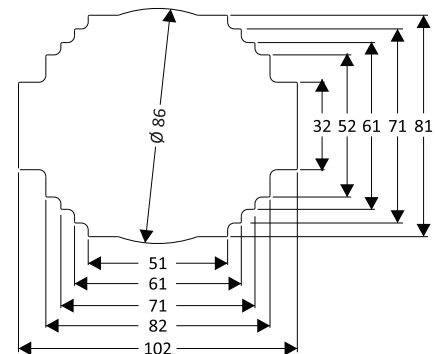


ELPM2 (EM 102*2.4)



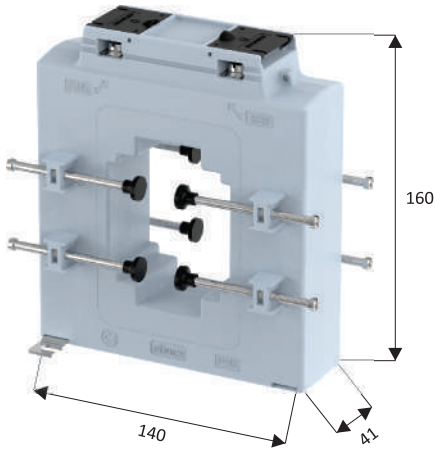
Class	0.5	1.0
Ratio	Burden in VA	
300/5	3.75	5
400/5	5	7.5
500/5	7.5	10
600/5	10	15
800/5	15	20
1000/5	15	20
1200/5	15	20
1250/5	20	20
1500/5	20	25
1600/5	20	25
1800/5	20	25
2000/5	30	35
2500/5	30	35
3000/5	30	40
3200/5	30	40

1C Cable Size	Bus Bar Size
Up to 1000 sq.mm	2x100x10 mm
-	3x80x10 mm
-	3x70x12 mm
-	4x60x10 mm
-	4x50x10 mm



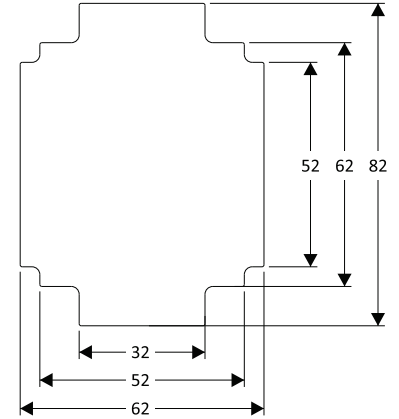
ELPMY1 (EMY 82*2.4)

NEW



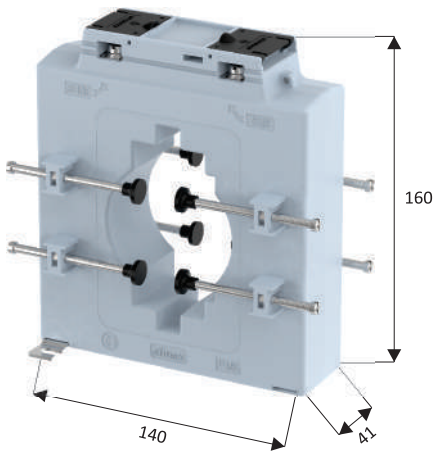
Class	Burden in VA	
	0.5	1.0
200/5	1.5	3.75
300/5	3.75	7.5
400/5	5	10
500/5	7.5	10
600/5	7.5	10
800/5	15	20
1000/5	15	20
1200/5	20	25
1250/5	20	25
1500/5	20	25
1600/5	20	25
1800/5	20	25
2000/5	20	25
2400/5	20	25
2500/5	20	25
3000/5	25	30
3200/5	30	35

1C Cable Size	Bus Bar Size
Up to 300 sq.mm	2x80x10 mm
-	3x60x10 mm
-	3x50x12 mm



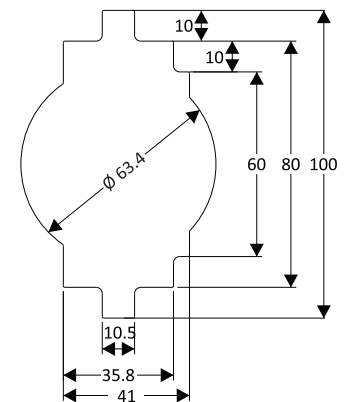
ELPMY2 (EMY 100.4)

NEW

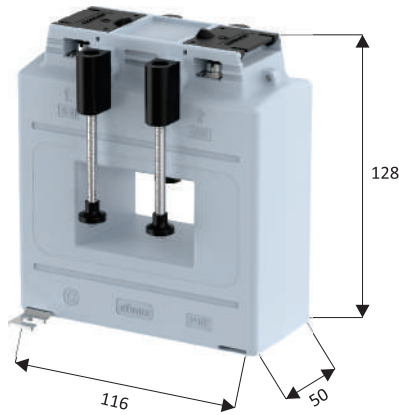


Class	Burden in VA	
	0.5	1.0
200/5	1	2.5
300/5	2.5	5
400/5	5	7.5
500/5	7.5	10
600/5	7.5	10
800/5	10	15
1000/5	10	15
1200/5	10	15
1250/5	10	15
1500/5	15	20
1600/5	15	20
1800/5	15	20
2000/5	20	25
2400/5	20	25
2500/5	20	25
3000/5	20	25
3200/5	20	25
4000/5	20	25

1C Cable Size	Bus Bar Size
Up to 1000 sq.mm	90x10 mm
-	2x70x10 mm
-	2x50x12 mm



ELPN1 (EN 55*2.5)

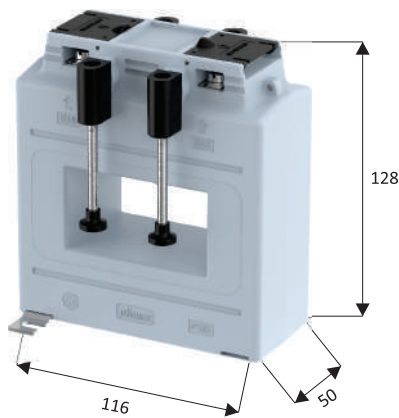


Class Ratio	Burden in VA	
	0.5	1.0
300/5	10	12.5
400/5	12.5	15
500/5	15	20
600/5	20	25
800/5	20	25
1000/5	30	35
1200/5	35	40
1250/5	35	40
1500/5	40	50

1C Cable Size	Bus Bar Size
Up to 400 sq.mm	2x50x10 mm

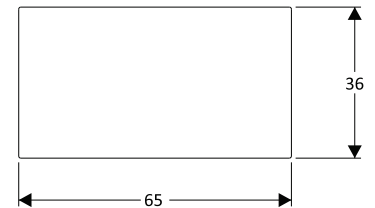


ELPN2 (EN 65*2.5)

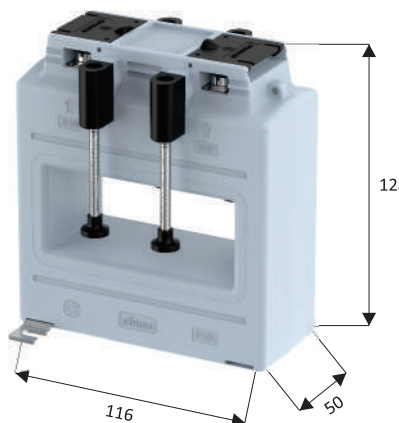


Class Ratio	Burden in VA	
	0.5	1.0
300/5	7.5	10
400/5	10	12.5
500/5	12.5	15
600/5	15	20
800/5	15	20
1000/5	25	30
1200/5	30	35
1250/5	30	35
1500/5	35	45
1600/5	40	45
1800/5	40	45
2000/5	40	45

1C Cable Size	Bus Bar Size
Up to 400 sq.mm	2x60x10 mm

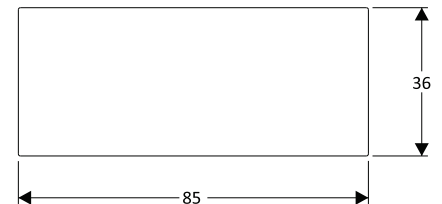


ELPN3 (EN 85*2.5)

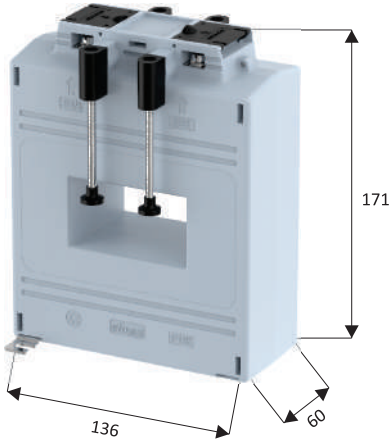


Class Ratio	Burden in VA	
	0.5	1.0
300/5	5	7.5
400/5	7.5	10
500/5	10	12.5
600/5	10	15
800/5	10	15
1000/5	20	25
1200/5	20	25
1250/5	20	25
1500/5	25	30
1600/5	25	30
1800/5	25	30
2000/5	25	30
2500/5	25	30

1C Cable Size	Bus Bar Size
Up to 400 sq.mm	2x80x10 mm

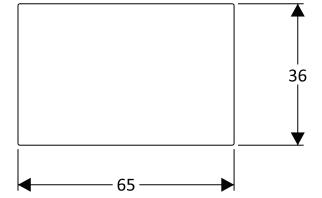


ELPO1 (EO 65*2.6)

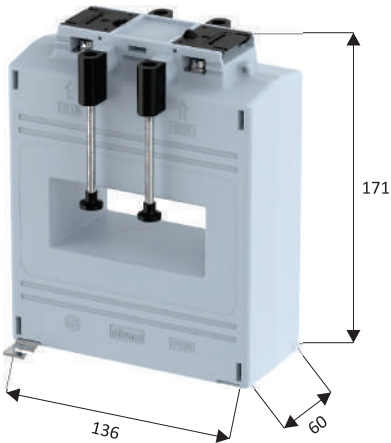


Class	0.5	1.0
Ratio	Burden in VA	
250/5	10	12.5
300/5	12.5	15
400/5	15	20
500/5	20	25
600/5	25	30
800/5	35	40
1000/5	40	50
1200/5	50	60
1250/5	50	60
1500/5	50	60

1C Cable Size	Bus Bar Size
Up to 400 sq.mm	2x60x10 mm

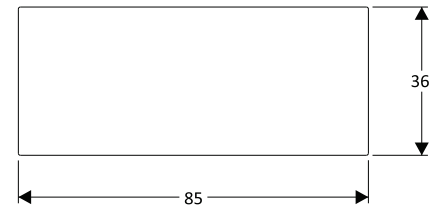


ELPO2 (EO 85*2.6)

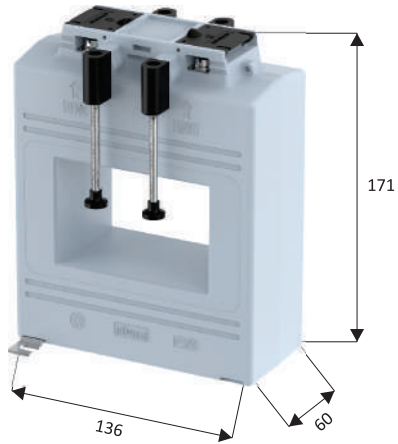


Class	0.5	1.0
Ratio	Burden in VA	
300/5	7.5	10
400/5	10	15
500/5	12.5	15
600/5	15	20
800/5	20	30
1000/5	30	35
1200/5	35	40
1250/5	35	40
1500/5	40	50
1600/5	40	50
1800/5	50	60
2000/5	50	60
2500/5	50	60
3000/5	50	60

1C Cable Size	Bus Bar Size
Up to 400 sq.mm	2x80x10 mm



ELPO3 (EO 85*3.6)

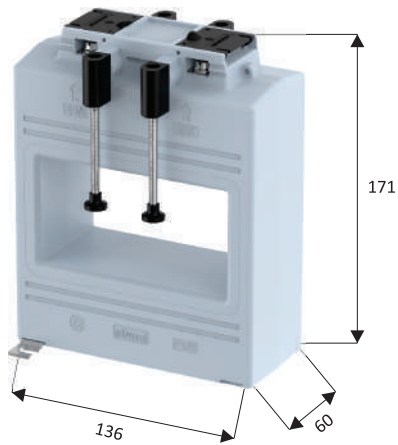


Class	0.5	1.0
	Burden in VA	
300/5	5	7.5
400/5	7.5	10
500/5	10	15
600/5	10	15
800/5	15	20
1000/5	20	30
1200/5	20	30
1250/5	25	35
1500/5	25	40
1600/5	30	40
1800/5	30	40
2000/5	30	50
2500/5	40	50
3000/5	50	60
3200/5	40	60

1C Cable Size	Bus Bar Size
Up to 1000 sq.mm	3x80x10 mm

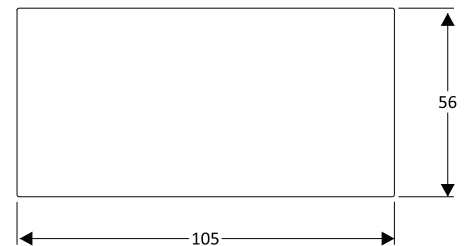


ELPO4 (EO 105*3.6)

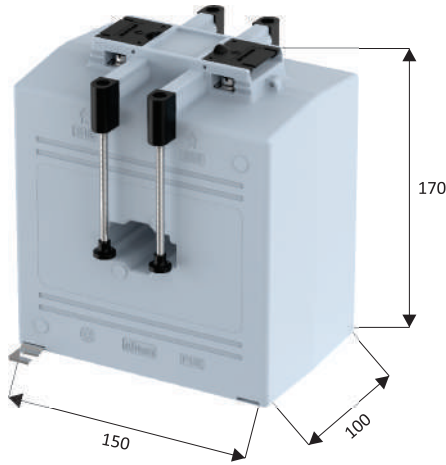


Class	0.5	1.0
	Burden in VA	
400/5	7.5	12.5
500/5	10	12.5
600/5	12.5	15
800/5	20	25
1000/5	20	30
1200/5	25	30
1250/5	30	35
1500/5	30	40
1600/5	30	40
1800/5	30	40
2000/5	40	50
2500/5	40	50
3000/5	40	50
3200/5	40	50
4000/5	40	50
5000/5	40	50

1C Cable Size	Bus Bar Size
Up to 1000 sq.mm	3x100x10 mm

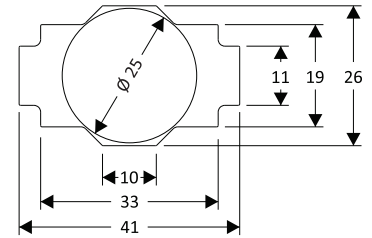


ELPP1 (EP 41.10)

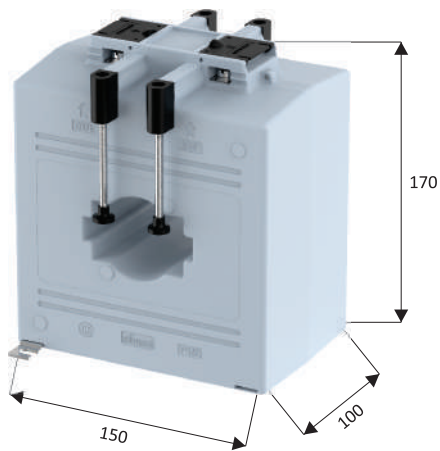


Class	5P5	5P10
Ratio	Burden in VA	
60/5	7.5	-
75/5	10	-
100/5	15	5
125/5	15	5
150/5	20	10
200/5	20	10
250/5	20	10
300/5	20	12.5
400/5	20	15
500/5	20	15
600/5	20	15
800/5	20	15

1C Cable Size	Bus Bar Size
Up to 240 sq.mm	40x10 mm
-	30x15 mm
-	20x10 mm

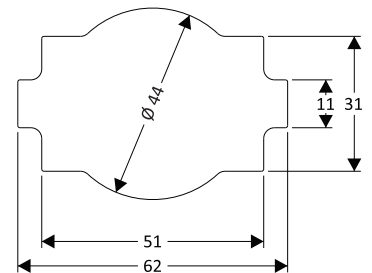


ELPP2 (EP 62.10)

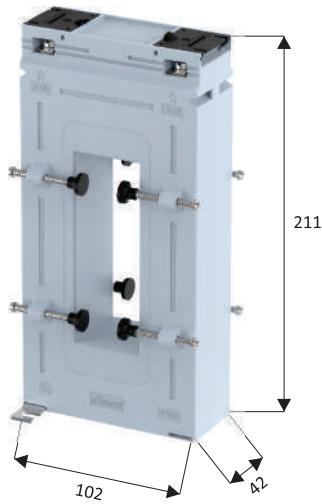


Class	5P5	5P10
Ratio	Burden in VA	
100/5	5	3.75
125/5	7.5	3.75
150/5	7.5	5
200/5	10	7.5
250/5	15	10
300/5	15	10
400/5	20	15
500/5	20	15
600/5	25	20
800/5	35	25
1000/5	45	30
1200/5	50	35
1250/5	50	35
1500/5	60	40
1600/5	60	40
1800/5	60	45
2000/5	60	50

1C Cable Size	Bus Bar Size
Up to 630 sq.mm	60x10 mm
-	2x50x10 mm

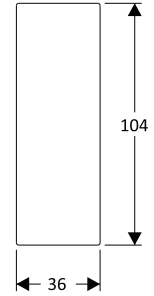


ELPR1 (ER 104*2.4)

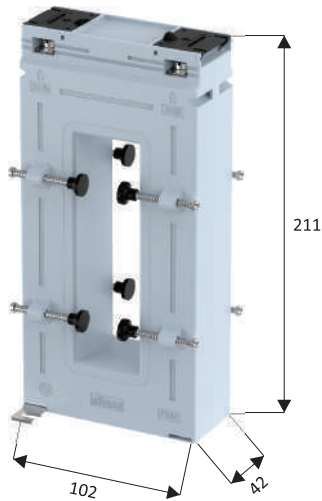


Class Ratio	0.5	1.0
	Burden in VA	
300/5	10	15
400/5	10	15
500/5	15	20
600/5	15	20
800/5	20	30
1000/5	30	35
1200/5	35	40
1250/5	35	40
1500/5	40	50
1600/5	35	45
1800/5	40	50
2000/5	50	60
2500/5	30	60
3000/5	30	50
3200/5	30	50
4000/5	30	50

1C Cable Size	Bus Bar Size
Up to 400 sq.mm	2x100x10 mm

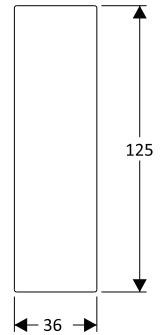


ELPR2 (ER 125*2.4)



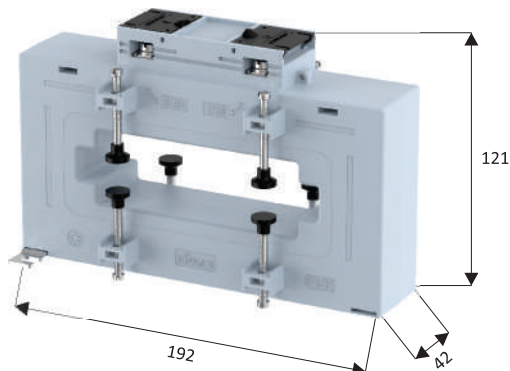
Class Ratio	0.5	1.0
	Burden in VA	
300/5	7.5	10
400/5	7.5	10
500/5	10	15
600/5	10	15
800/5	15	20
1000/5	25	30
1200/5	30	35
1250/5	30	35
1500/5	35	40
1600/5	35	40
1800/5	30	35
2000/5	30	40
2500/5	35	45
3000/5	30	40
3200/5	30	40
4000/5	30	40

1C Cable Size	Bus Bar Size
Up to 400 sq.mm	2x120x10 mm



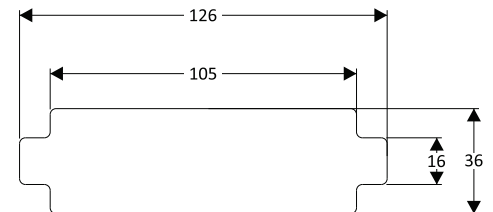
ELPRX3 (ER 126*4)

NEW

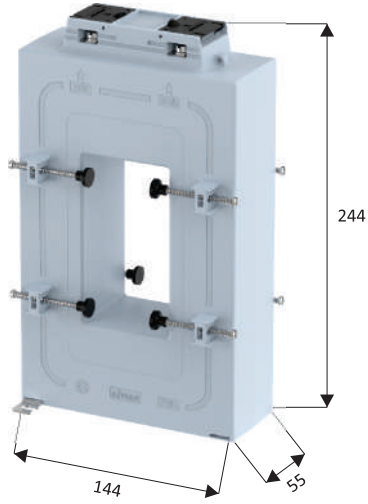


Class Ratio	0.5	1.0
	Burden in VA	
200/5	2.5	5
300/5	5	7.5
400/5	7.5	10
500/5	10	15
600/5	10	15
800/5	15	20
1000/5	20	25
1200/5	25	30
1250/5	25	30
1500/5	25	30
1600/5	25	30
1800/5	25	30
2000/5	30	40
2500/5	40	45

1C Cable Size	Bus Bar Size
Up to 400 sq.mm	125x10 mm
-	2x100x10 mm

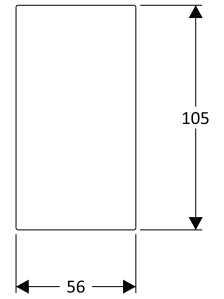


ELPSY1 (ES 105*3.5)

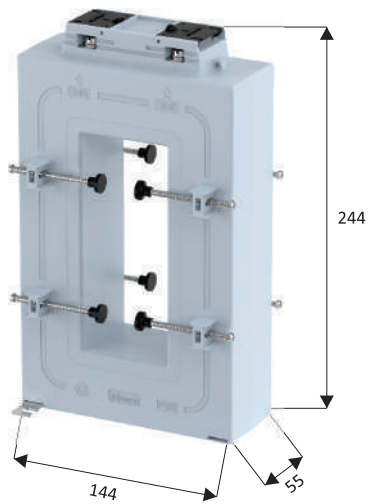


Class	0.5	1.0
Ratio	Burden in VA	
250/5	5	7.5
300/5	7.5	10
400/5	10	15
500/5	12.5	15
600/5	15	20
800/5	20	25
1000/5	25	30
1200/5	30	35
1250/5	35	40
1500/5	40	45
1600/5	40	45
1800/5	40	45
2000/5	40	50
2500/5	40	50
3000/5	40	50
3200/5	40	50
4000/5	50	60
5000/5	50	60

1C Cable Size	Bus Bar Size
Up to 1000 sq.mm	3x100x10 mm

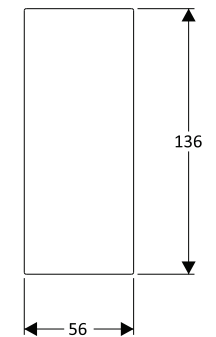


ELPSY2 (ES 136*3.5)

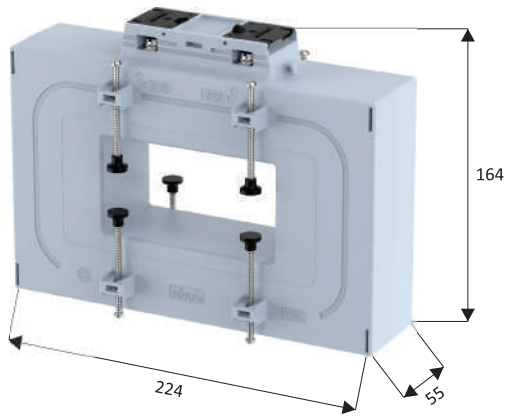


Class	0.5	1.0
Ratio	Burden in VA	
250/5	3.75	5
300/5	5	7.5
400/5	7.5	12.5
500/5	10	15
600/5	20	25
800/5	20	25
1000/5	25	30
1200/5	25	35
1250/5	30	40
1500/5	30	40
1600/5	30	40
1800/5	35	40
2000/5	35	45
2500/5	50	60
3000/5	50	60
3200/5	50	60
4000/5	50	60
5000/5	50	60

1C Cable Size	Bus Bar Size
Up to 1000 sq.mm	3x130x10 mm

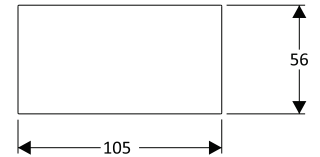


ELPSX1 (ES 105*3.5)

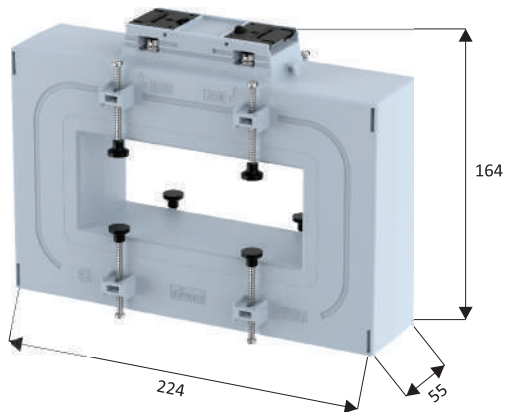


Class Ratio	Burden in VA	
	0.5	1.0
250/5	5	7.5
300/5	7.5	10
400/5	10	15
500/5	12.5	15
600/5	15	20
800/5	20	25
1000/5	25	30
1200/5	30	35
1250/5	35	40
1500/5	40	45
1600/5	40	45
1800/5	40	45
2000/5	40	50
2500/5	40	50
3000/5	40	50
3200/5	40	50
4000/5	50	60
5000/5	50	60

1C Cable Size	Bus Bar Size
Up to 1000 sq.mm	3x100x10 mm

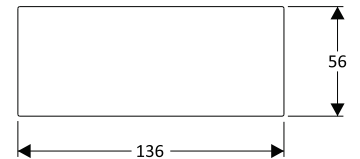


ELPSX2 (ES 136*3.5)

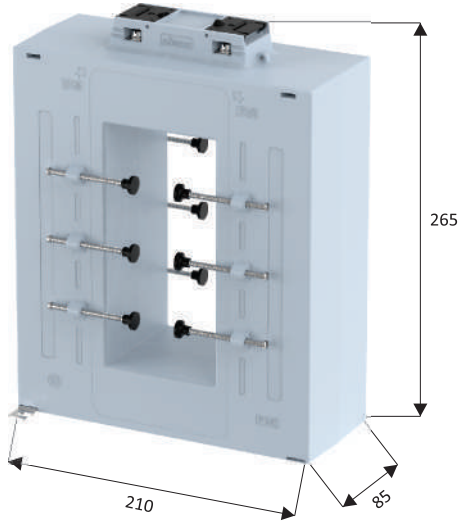


Class Ratio	Burden in VA	
	0.5	1.0
250/5	3.75	5
300/5	5	7.5
400/5	7.5	12.5
500/5	10	15
600/5	20	25
800/5	20	25
1000/5	25	30
1200/5	25	35
1250/5	30	40
1500/5	30	40
1600/5	30	40
1800/5	35	40
2000/5	35	45
2500/5	50	60
3000/5	50	60
3200/5	50	60
4000/5	50	60
5000/5	50	60

1C Cable Size	Bus Bar Size
Up to 1000 sq.mm	3x130x10 mm

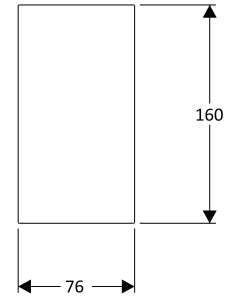


ELPTY1 (ET 160*4.8)

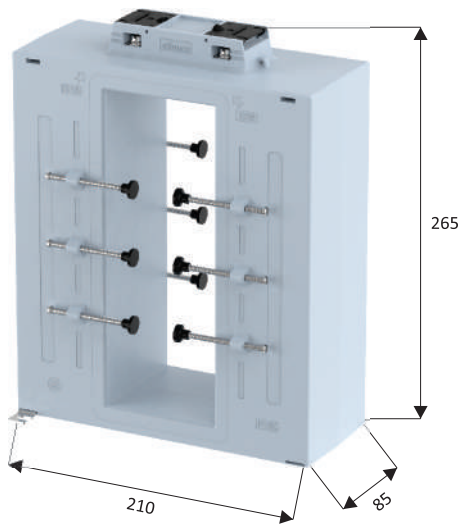


Class	0.5	1.0
Ratio	Burden in VA	
600/5	12.5	15
800/5	20	25
1000/5	20	30
1200/5	30	40
1250/5	30	40
1500/5	30	40
1600/5	30	40
1800/5	40	50
2000/5	45	50
2500/5	50	60
3000/5	50	60
3200/5	50	60
4000/5	50	60
5000/5	50	60
6000/5	50	60
7000/5	50	60
7500/5	50	60

1C Cable Size	Bus Bar Size
Up to 1000 sq.mm	4x150x10 mm

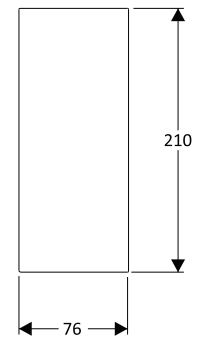


ELPTY2 (ET 210*4.8)

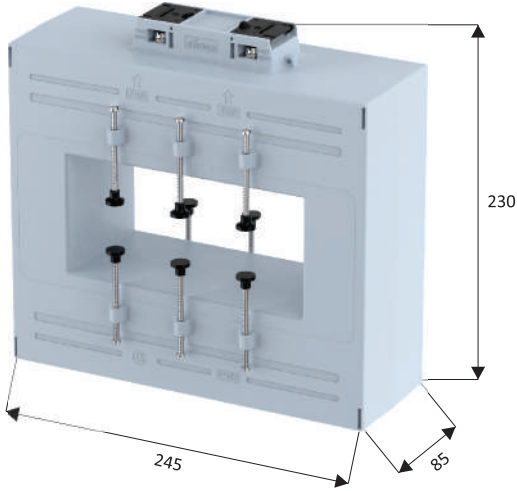


Class	0.5	1.0
Ratio	Burden in VA	
600/5	10	12.5
800/5	12.5	15
1000/5	15	20
1200/5	20	25
1250/5	20	25
1500/5	25	30
1600/5	25	30
1800/5	30	35
2000/5	30	40
2500/5	35	45
3000/5	40	50
3200/5	40	50
4000/5	40	50
5000/5	40	50
6000/5	40	50
7000/5	35	45
7500/5	35	50

1C Cable Size	Bus Bar Size
Up to 1000 sq.mm	4x200x10 mm

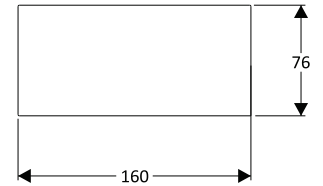


ELPTX1 (ET 160*4.8)

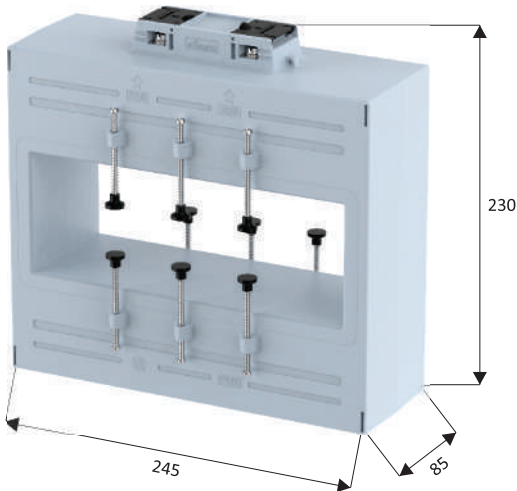


Class Ratio	Burden in VA	
	0.5	1.0
600/5	12.5	15
800/5	20	25
1000/5	20	30
1200/5	30	40
1250/5	30	40
1500/5	30	40
1600/5	30	40
1800/5	40	50
2000/5	45	50
2500/5	50	60
3000/5	50	60
3200/5	50	60
4000/5	50	60
5000/5	50	60
6000/5	50	60
7000/5	50	60
7500/5	50	60

1C Cable Size	Bus Bar Size
Up to 1000 sq.mm	4x150x10 mm

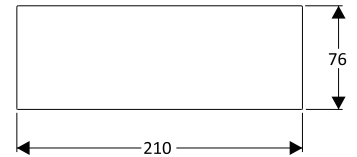


ELPTX2 (ET 210*4.8)

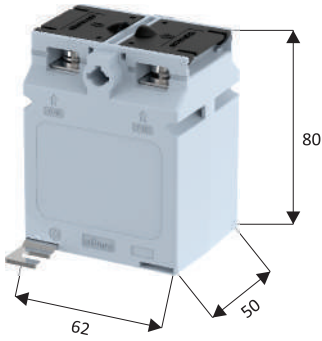


Class Ratio	Burden in VA	
	0.5	1.0
600/5	10	12.5
800/5	12.5	15
1000/5	15	20
1200/5	20	25
1250/5	20	25
1500/5	25	30
1600/5	25	30
1800/5	30	35
2000/5	30	40
2500/5	35	45
3000/5	40	50
3200/5	40	50
4000/5	40	50
5000/5	40	50
6000/5	40	50
7000/5	35	45
7500/5	35	50

1C Cable Size	Bus Bar Size
Up to 1000 sq.mm	4x200x10 mm

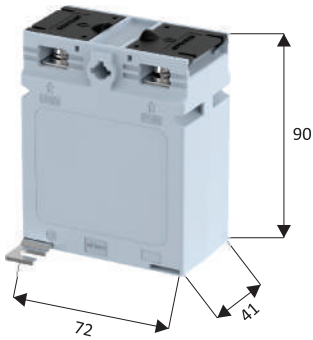


EWPHN (EWN 62/5)



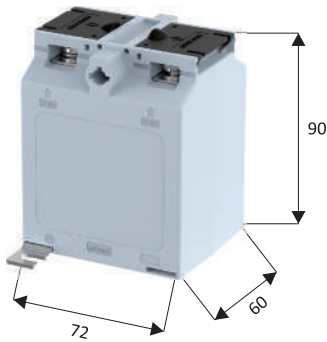
Class Ratio	1.0			
	Burden in VA			
1/5	5	2.5	5	10
2.5/5	5	2.5	5	10
5/5	5	2.5	5	10
10/5	5	2.5	5	10
15/5	5	2.5	5	10
20/5	5	2.5	5	10
25/5	5	2.5	5	10
30/5	5	2.5	5	10
40/5	5	2.5	5	10

EWPA (EWA 72/4)



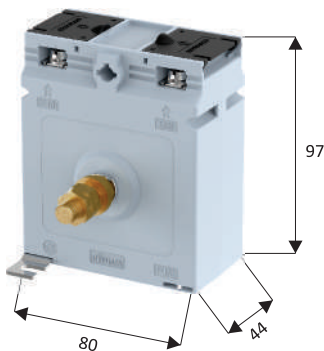
Class Ratio	1.0	
	Burden in VA	
1/5	7.5	15
2.5/5	7.5	15
5/5	7.5	15
10/5	7.5	15
15/5	7.5	15
20/5	7.5	15
25/5	7.5	15
30/5	7.5	15
40/5	7.5	15

EWPIA (EWI 72/6)



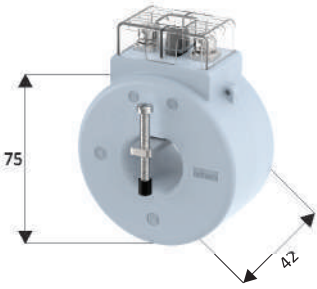
Class Ratio	1.0	
	Burden in VA	
1/5	10	20
2.5/5	10	20
5/5	10	20
10/5	10	20
15/5	10	20
20/5	10	20
25/5	10	20
30/5	10	20
40/5	10	20

EWPB (EWB 80/4)



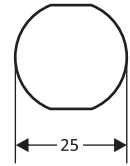
Class Ratio	1.0	
	Burden in VA	
30/5	7.5	15
40/5	7.5	15
50/5	7.5	15
60/5	7.5	15
75/5	7.5	15
80/5	7.5	15
100/5	7.5	15
125/5	7.5	15
150/5	7.5	15

EOPX

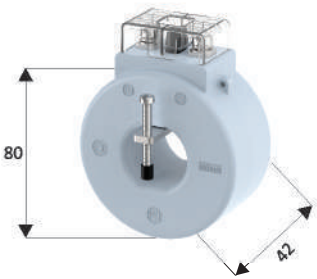


Class	0.5		1.0		3.0	
Ratio	Burden in VA					
100/5	5	5	5	5	5	5
125/5	5	10	10	12.5	12.5	12.5
150/5	10	15	15	15	15	15

1C Cable Size	Bus Bar Size
Up to 240 sq.mm	20x10 mm

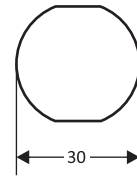


EOPA

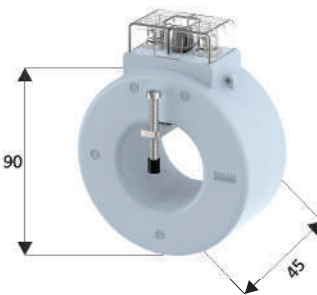


Class	0.5			1.0		
Ratio	Burden in VA					
50/5	-	-	-	1.5	-	-
60/5	-	-	-	1.5	-	-
75/5	-	-	-	1.5	-	-
100/5	5	-	-	5	-	-
125/5	5	-	-	5	10	-
150/5	5	10	-	5	10	15
200/5	5	10	15	5	10	15

1C Cable Size	Bus Bar Size
Up to 300 sq.mm	25x12 mm
-	25x10 mm
-	20x10 mm

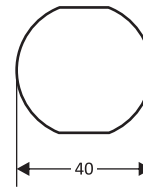


EOPB

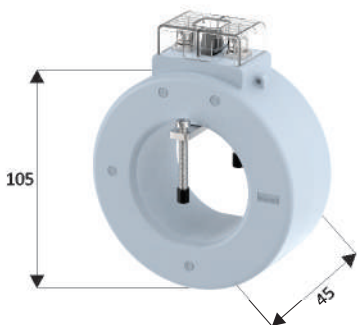


Class	0.5			1.0		
Ratio	Burden in VA					
100/5	5	-	-	5	-	-
125/5	5	-	-	5	10	-
150/5	5	10	-	5	10	15
200/5	5	10	15	5	10	15
250/5	5	10	15	5	10	15
300/5	5	10	15	5	10	15
400/5	5	10	15	5	10	15

1C Cable Size	Bus Bar Size
Up to 630 sq.mm	30x15 mm
-	30x12 mm
-	30x10 mm

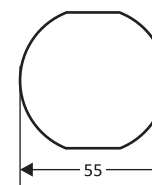


EOPC

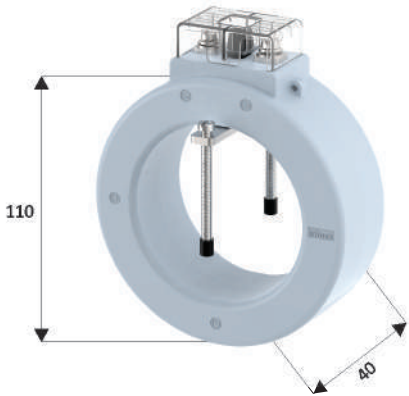


Class	0.5			1.0		
Ratio	Burden in VA					
200/5	5	10	15	5	10	15
250/5	5	10	15	5	10	15
300/5	5	10	15	5	10	15
400/5	5	10	15	5	10	15
500/5	5	10	15	5	10	15
600/5	5	10	15	5	10	15
800/5	5	10	15	5	10	15

1C Cable Size	Bus Bar Size
Up to 1000 sq.mm	50x15 mm
-	2x40x12 mm

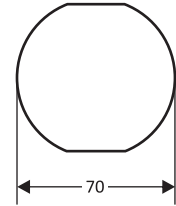


EOPD

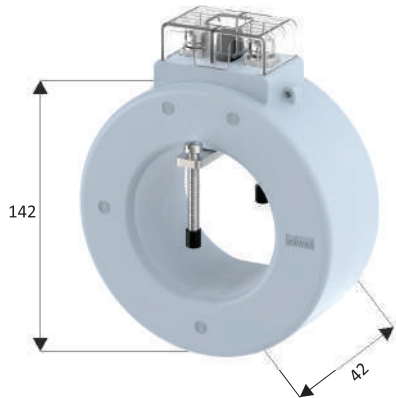


Class	0.5			1.0		
Ratio	Burden in VA					
300/5	5	7.5	-	5	10	-
400/5	5	10	-	5	10	15
500/5	5	10	15	5	10	15
600/5	5	10	15	5	10	15
800/5	5	10	15	5	10	15
1000/5	5	10	15	5	10	15

1C Cable Size	Bus Bar Size
Up to 1000 sq.mm	2x60x10 mm
-	2x50x15 mm
-	3x40x10 mm

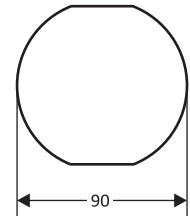


EOPE

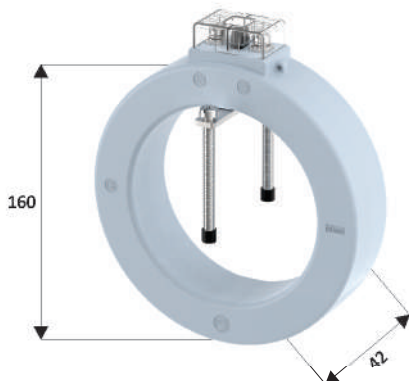


Class	0.5			1.0		
Ratio	Burden in VA					
600/5	5	10	15	5	10	15
800/5	5	10	15	5	10	15
1000/5	5	10	15	5	10	15
1200/5	5	10	15	5	10	15
1250/5	5	10	15	5	10	15
1500/5	5	10	15	5	10	15

1C Cable Size	Bus Bar Size
Up to 1000 sq.mm	2x80x12 mm
-	3x70x10 mm
-	3x60x12 mm
-	3x50x10 mm
-	3x40x15 mm

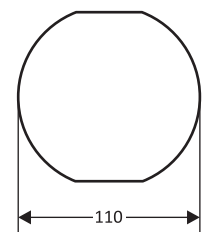


EOPF



Class	0.5			1.0		
Ratio	Burden in VA					
1000/5	5	10	15	5	10	15
1200/5	5	10	15	5	10	15
1250/5	5	10	15	5	10	15
1500/5	5	10	15	5	10	15
1600/5	5	10	15	5	10	15
2000/5	5	10	15	5	10	15
2500/5	5	10	15	5	10	15
3000/5	5	10	15	5	10	15
3200/5	5	10	15	5	10	15

1C Cable Size	Bus Bar Size
Up to 1000 sq.mm	2x100x12 mm
-	3x90x12 mm
-	4x80x10 mm
-	4x70x10 mm
-	4x60x12 mm



ABS Encased Signaling Current Transformers

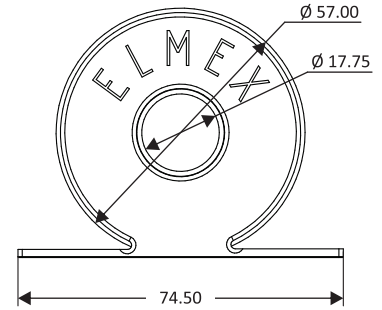
EOPSI

NEW



Class	1
Ratio	Burden in VA
60/0.1	1
75/0.1	1
100/0.1	1
120/0.1	1
125/0.1	1
150/0.1	1
200/0.1	1

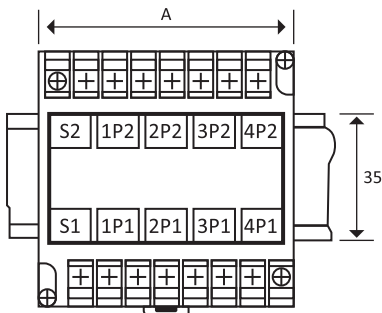
1C Cable Size	Bus Bar Size
Up to 95 sq.mm	-



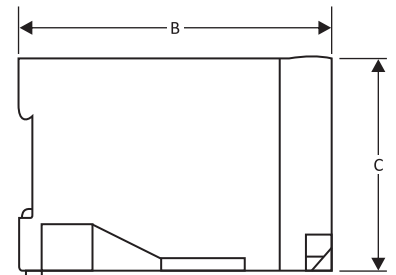
ABS Type Summation Current Transformers

EWPS

NEW



CAT. No.	Class	Burden in VA	
		0.5	1.0
EWPS62	5+5/5	15	25
	5+5+5/5	15	25
	5+5+5+5/5	15	25
EWPS100	5+5+5+5+5/5	15	25
	5+5+5+5+5+5/5	15	25
	5+5+5+5+5+5+5/5	15	25
	5+5+5+5+5+5+5+5/5	15	25



CAT. No.	Dimensions in mm		
	A	B	C
EWPS62	62	111	71
EWPS100	100	114	71

Ring Type CTs		
Bus Bar Size	1C Cable Size	Min. Inner Dia. "A"
20x10	300 sq.mm	30
25x10	300 sq.mm	30
25x12	300 sq.mm	30
30x10	630 sq.mm	40
30x12	630 sq.mm	40
2x30x12	1000 sq.mm	50
30x15	630 sq.mm	40
3x40x10	1000 sq.mm	70
2x40x12	1000 sq.mm	55
40x15	1000 sq.mm	50
3x40x15	1000 sq.mm	90
3x50x10	1000 sq.mm	90
4x50x12	1000 sq.mm	100
50x15	1000 sq.mm	55
2x50x15	1000 sq.mm	70
2x60x10	1000 sq.mm	70
4x60x10	1000 sq.mm	100
3x60x12	1000 sq.mm	90
4x60x12	1000 sq.mm	110
3x70x10	1000 sq.mm	90
4x70x10	1000 sq.mm	110
3x70x12	1000 sq.mm	100
4x70x15	1000 sq.mm	130
4x80x10	1000 sq.mm	110
2x80x12	1000 sq.mm	90
4x80x12	1000 sq.mm	130
2x80x15	1000 sq.mm	100
4x80x15	1000 sq.mm	140

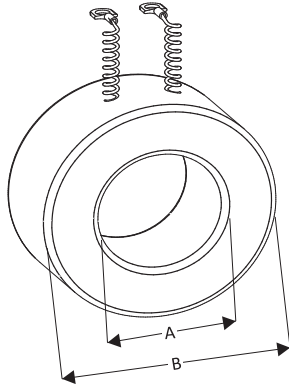
Ring Type CTs		
Bus Bar Size	1C Cable Size	Min. Inner Dia. "A"
2x90x10	1000 sq.mm	100
3x90x12	1000 sq.mm	110
4x90x12	1000 sq.mm	130
2x100x12	1000 sq.mm	110
4x100x12	1000 sq.mm	140
3x100x15	1000 sq.mm	130
4x100x15	1000 sq.mm	160
2x110x15	1000 sq.mm	130
3x110x15	1000 sq.mm	140
4x110x15	1000 sq.mm	160
2x120x12	1000 sq.mm	130
3x120x12	1000 sq.mm	140
4x120x12	1000 sq.mm	160
2x125x10	1000 sq.mm	130
3x125x10	1000 sq.mm	140
4x125x12	1000 sq.mm	160
4x125x15	1000 sq.mm	180
3x130x15	1000 sq.mm	160
4x130x15	1000 sq.mm	180
4x140x12	1000 sq.mm	180
3x140x15	1000 sq.mm	160
3x150x10	1000 sq.mm	160
3x150x15	1000 sq.mm	180
3x160x12	1000 sq.mm	180
4x160x15	1000 sq.mm	200
3x170x15	1000 sq.mm	200

Rectangular Type CTs		
Bus Bar Size	1C Cable Size	Min. Inner Dia. "AxB"
2x40x10	800 sq.mm	55x45
3x40x15	2x1000 sq.mm	130x85
2x50x10	800 sq.mm	55x45
2x50x15	1000 sq.mm	85x60
3x50x15	2x1000 sq.mm	130x85
2x60x15	1000 sq.mm	85x60
3x60x15	2x1000 sq.mm	130x85
3x70x10	1000 sq.mm	85x60
3x70x15	2x1000 sq.mm	130x85
3x80x10	1000 sq.mm	85x60
2x80x15	1000 sq.mm	85x60
3x80x15	2x1000 sq.mm	130x85
4x80x15	4x1000 sq.mm	210x110
5x80x15	4x1000 sq.mm	210x150
3x90x10	2x1000 sq.mm	105x60
3x100x10	2x1000 sq.mm	105x60
4x100x10	2x1000 sq.mm	130x85
2x100x15	2x1000 sq.mm	105x60
4x100x15	4x1000 sq.mm	210x110

Rectangular Type CTs		
Bus Bar Size	1C Cable Size	Min. Inner Dia. "AxB"
5x100x15	4x1000 sq.mm	210x150
3x125x10	2x1000 sq.mm	130x60
4x125x10	2x1000 sq.mm	130x85
2x125x15	3x1000 sq.mm	160x60
3x125x15	2x1000 sq.mm	130x85
4x125x15	4x1000 sq.mm	210x110
5x125x15	4x1000 sq.mm	210x150
3x150x10	3x1000 sq.mm	160x60
4x150x10	3x1000 sq.mm	170x85
2x150x15	3x1000 sq.mm	160x60
4x150x15	4x1000 sq.mm	210x110
5x150x15	4x1000 sq.mm	210x150
4x160x10	3x1000 sq.mm	170x85
4x160x15	4x1000 sq.mm	210x110
5x160x15	4x1000 sq.mm	210x150
4x200x10	4x1000 sq.mm	210x85
5x200x10	4x1000 sq.mm	210x110
6x200x12	4x1000 sq.mm	210x150
4x200x15	4x1000 sq.mm	210x110
5x200x15	4x1000 sq.mm	210x150

Tape Insulated Ring Type Current Transformers

EOT



- Note: 1) Axial depth shall vary with reference to Class of Accuracy.
 2) Standard Lead length shall be 100 mm with 2.5 sq.mm. Ring type lug.
 3) Mounting clamp can be provided on request on chargeable basis.

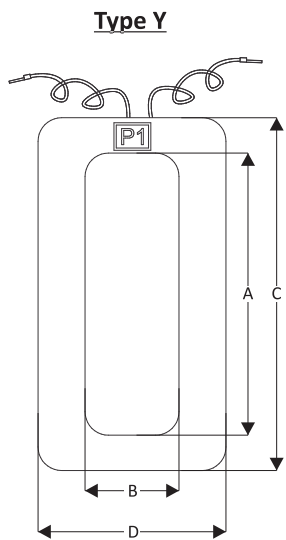
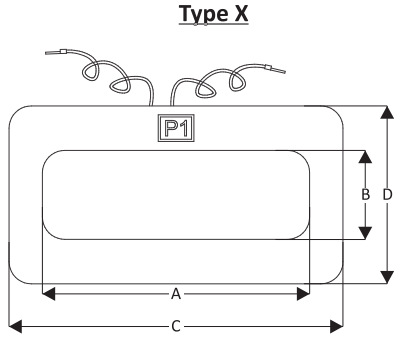
Tape Insulated Ring Type Metering CTs									
CAT. No.	Ratio	Min. Inner Dia. "A"	Max. Outer Dia. "B"	Class 0.5			Class 1.0		
				Burden in VA					
EOT30	100/5	30	80	5	10	15	5	10	15
EOT40		40	90	5	10	15	5	10	15
EOT50		50	100	5	10	15	5	10	15
EOT30	125/5	30	80	5	10	15	5	10	15
EOT40		40	90	5	10	15	5	10	15
EOT50		50	100	5	10	15	5	10	15
EOT30	150/5	30	80	5	10	15	5	10	15
EOT40		40	90	5	10	15	5	10	15
EOT50		50	100	5	10	15	5	10	15
EOT30	200/5	30	80	5	10	15	5	10	15
EOT40		40	90	5	10	15	5	10	15
EOT50		50	100	5	10	15	5	10	15
EOT55	250/5	55	105	5	10	15	5	10	15
EOT40		40	90	5	10	15	5	10	15
EOT50		50	100	5	10	15	5	10	15
EOT55	300/5	55	105	5	10	15	5	10	15
EOT40		40	90	5	10	15	5	10	15
EOT50		50	100	5	10	15	5	10	15
EOT55	400/5	55	105	5	10	15	5	10	15
EOT40		40	90	5	10	15	5	10	15
EOT50		50	100	5	10	15	5	10	15
EOT55	500/5	55	105	5	10	15	5	10	15
EOT40		40	90	5	10	15	5	10	15
EOT50		50	100	5	10	15	5	10	15
EOT55	600/5	55	105	5	10	15	5	10	15
EOT40		40	90	5	10	15	5	10	15
EOT50		50	100	5	10	15	5	10	15
EOT55	800/5	55	105	5	10	15	5	10	15
EOT40		40	90	5	10	15	5	10	15
EOT50		50	100	5	10	15	5	10	15
EOT55	1000/5	55	105	5	10	15	5	10	15
EOT40		40	90	5	10	15	5	10	15
EOT50		50	100	5	10	15	5	10	15
EOT55	1250/5	55	105	5	10	15	5	10	15
EOT40		40	90	5	10	15	5	10	15
EOT50		50	100	5	10	15	5	10	15
EOT55	1300/5	55	105	5	10	15	5	10	15
EOT40		40	90	5	10	15	5	10	15
EOT50		50	100	5	10	15	5	10	15

Tape Insulated Ring Type Metering CTs									
CAT. No.	Ratio	Min. Inner Dia. "A"	Max. Outer Dia. "B"	Class 0.5			Class 1.0		
				Burden in VA					
EOT110	1500/5	110	160	5	10	15	5	10	15
EOT130		130	180	5	10	15	5	10	15
EOT140		140	190	5	10	15	5	10	15
EOT110	1600/5	110	160	5	10	15	5	10	15
EOT130		130	180	5	10	15	5	10	15
EOT140		140	190	5	10	15	5	10	15
EOT110	2000/5	110	160	5	10	15	5	10	15
EOT130		130	180	5	10	15	5	10	15
EOT140		140	190	5	10	15	5	10	15
EOT110	2500/5	110	160	5	10	15	5	10	15
EOT130		130	180	5	10	15	5	10	15
EOT140		140	190	5	10	15	5	10	15
EOT140	3000/5	140	190	5	10	15	5	10	15
EOT160		160	210	5	10	15	5	10	15
EOT180		180	230	5	10	15	5	10	15
EOT200	3200/5	200	250	5	10	15	5	10	15
EOT140		140	190	5	10	15	5	10	15
EOT160		160	210	5	10	15	5	10	15
EOT180	4000/5	180	230	5	10	15	5	10	15
EOT200		200	250	5	10	15	5	10	15
EOT140		140	190	5	10	15	5	10	15
EOT160	5000/5	160	210	5	10	15	5	10	15
EOT180		180	230	5	10	15	5	10	15
EOT200		200	250	5	10	15	5	10	15
EOT140	6000/5	140	190	5	10	15	5	10	15
EOT160		160	210	5	10	15	5	10	15
EOT180		180	230	5	10	15	5	10	15
EOT200		200	250	5	10	15	5	10	15

Tolerance ±3.00mm

Tape Insulated Rectangular Type Current Transformers

ELT



Tape Insulated Rectangular Type Metering CTs							
CAT. No.	Ratio	Min. Inner Dia. (AxB)	Max. Outer Dia. (Cx D)	Class 0.5		Class 1.0	
				Burden in VA			
ELTV	600/5	55x45	90x90	10	15	10	15
ELTP		85x60	125x105	10	15	10	15
ELTA		105x60	140x105	10	15	10	15
ELTV	800/5	55x45	90x90	10	15	10	15
ELTP		85x60	125x105	10	15	10	15
ELTA		105x60	140x105	10	15	10	15
ELTV	1000/5	55x45	90x90	10	15	10	15
ELTP		85x60	125x105	10	15	10	15
ELTA		105x60	140x105	10	15	10	15
ELTB	1250/5	130x60	170x110	10	15	10	15
ELTP		85x60	125x105	10	15	10	15
ELTI		105x60	150x110	10	15	10	15
ELTB	1500/5	130x60	170x110	10	15	10	15
ELTK		130x85	180x140	10	15	10	15
ELTM		160x60	210x115	10	15	10	15
ELTN	1600/5	170x85	245x145	10	15	10	15
ELTP		85x60	125x105	10	15	10	15
ELTI		105x60	150x110	10	15	10	15
ELTB	2000/5	130x60	170x110	10	15	10	15
ELTK		130x85	180x140	10	15	10	15
ELTM		160x60	210x115	10	15	10	15
ELTN	2000/5	170x85	245x145	10	15	10	15
ELTI		105x60	150x110	10	15	10	15
ELTB		130x60	170x110	10	15	10	15
ELTK	2000/5	130x85	180x140	10	15	10	15
ELTM		160x60	210x115	10	15	10	15
ELTN		170x85	245x145	10	15	10	15

Tolerance ±3.00mm

Tape Insulated Rectangular Type Protection CTs					
CAT. No.	Ratio	Min. Inner Dia. (AxB)	Max. Outer Dia. (Cx D)	Class 5P10	
				Burden in VA	
ELTH	600/5	85x60	125x110	10	15
ELTI		105x60	150x110	10	15
ELTP	800/5	85x60	125x105	10	15
ELTI		105x60	150x110	10	15
ELTI	1000/5	85x60	150x110	10	15
ELTC		105x60	170x130	10	15
ELTQ	1250/5	130x60	200x145	10	15
ELTI		85x60	150x110	10	15
ELTC		105x60	170x130	10	15
ELTQ	1600/5	130x60	200x145	10	15
ELTI		85x60	150x110	10	15
ELTC		105x60	170x130	10	15
ELTQ	1600/5	130x60	200x145	10	15
ELTI		85x60	150x110	10	15
ELTC		105x60	170x130	10	15
ELTQ	1600/5	130x85	200x145	10	15
ELTI		85x60	150x110	10	15
ELTC		105x60	170x130	10	15
ELTQ	1600/5	130x85	200x145	10	15
ELTI		85x60	150x110	10	15
ELTC		105x60	170x130	10	15
ELTQ	1600/5	130x85	200x145	10	15
ELTI		85x60	150x110	10	15
ELTC		105x60	170x130	10	15
ELTQ	1600/5	130x85	200x145	10	15
ELTI		85x60	150x110	10	15
ELTC		105x60	170x130	10	15

Tolerance ±3.00mm

Tape Insulated Rectangular Type Metering CTs							
CAT. No.	Ratio	Min. Inner Dia. (AxB)	Max. Outer Dia. (Cx D)	Class 0.5		Class 1.0	
				Burden in VA			
ELTI	2500/5	105x60	150x110	10	15	10	15
ELTB		130x60	170x110	10	15	10	15
ELTK		130x85	180x140	10	15	10	15
ELTM	3000/5	160x60	210x115	10	15	10	15
ELTN		170x85	245x145	10	15	10	15
ELTE1		210x85	270x170	10	15	10	15
ELTE1	3200/5	210x110	270x170	10	15	10	15
ELT		210x150	285x225	10	15	10	15
ELTJ		130x60	180x120	10	15	10	15
ELTQ	4000/5	130x85	200x145	10	15	10	15
ELTM		160x60	210x115	10	15	10	15
ELTN		170x85	245x145	10	15	10	15
ELTE1	4000/5	210x85	270x170	10	15	10	15
ELTE1		210x110	270x170	10	15	10	15
ELT		210x150	285x225	10	15	10	15
ELTN	5000/5	170x85	245x145	10	15	10	15
ELTE1		210x85	270x170	10	15	10	15
ELTE1		210x110	270x170	10	15	10	15
ELT	6300/5	210x150	285x225	10	15	10	15
ELTE		170x85	245x160	10	15	10	15
ELT		210x85	285x225	10	15	10	15
ELT	6300/5	210x110	285x225	10	15	10	15
ELT		210x150	285x225	10	15	10	15
ELT		210x150	285x225	10	15	10	15

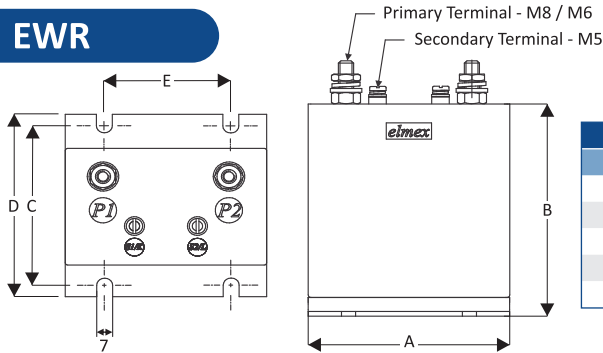
Tape Insulated Rectangular Type Protection CTs					
CAT. No.	Ratio	Min. Inner Dia. (AxB)	Max. Outer Dia. (Cx D)	Class 5P10	
				Burden in VA	
ELTC	2000/5	105x60	170x130	10	15
ELTQ		130x60	200x145	10	15
ELTQ	2500/5	130x85	200x145	10	15
ELTM		160x60	210x115	10	15
ELTN		170x85	245x145	10	15
ELTK	3200/5	105x60	180x140	10	15
ELTQ		130x60	200x145	10	15
ELTQ		130x85	200x145	10	15
ELTM	4000/5	160x60	210x115	10	15
ELTN		170x85	245x145	10	15
ELTE		160x60	245x160	10	15
ELTN	5000/5	170x85	245x145	10	15
ELT		210x110	285x225	10	15
ELT		210x150	285x225	10	15
ELTN	5000/5	170x85	245x145	10	15
ELT		210x110	285x225	10	15
ELT		210x110	285x225	10	15

Note:

- 1) Terminal arrangement shall be "Y" type if not mentioned in the order.
- 2) Axial depth shall vary with reference to Class of Accuracy.
- 3) Standard Lead length shall be 100 mm with 2.5 sq. mm. Ring type lug.

Resin Cast Wound Primary Type Current Transformers

EWR

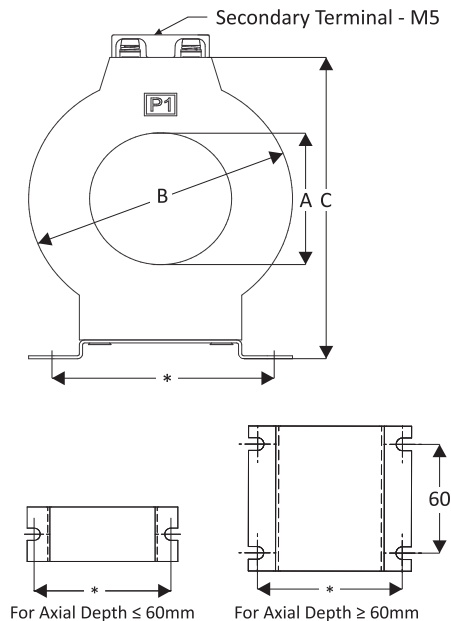


Resin Cast Wound Primary Type CTs							
CAT. No.	Ratio	VA / Class	A	B	C	D	E
EWRA	1/5 to 125/5	5 / 0.5 or 5 / 1.0	80	100	80	90	60
EWRB	1/5 to 125/5	7.5 / 0.5 or 10 / 1.0	100	120	80	90	60
EWRC	1/5 to 125/5	10 / 0.5 or 15 / 1.0	120	140	80	90	80
EWRD	1/5 to 125/5	10 / 5P10	120	140	110	120	80
EWRE	1/5 to 125/5	15 / 5P10	120	140	120	140	80

Tolerance ±3.00mm

Resin Cast Ring Type Current Transformers

EOR



Mounting Dimensions		
Type - EOR	*2 Slots	*4 Slots
A - D	80	60x80
E - G & M	100	60x100
H - J	120	60x120

Dimensional Details		
CAT No.	B	C
EORA	80	110
EORB	100	130
EORC	110	140
EORD	120	150
EORE	130	160
EOREM	140	170
EORF	150	180

Note:

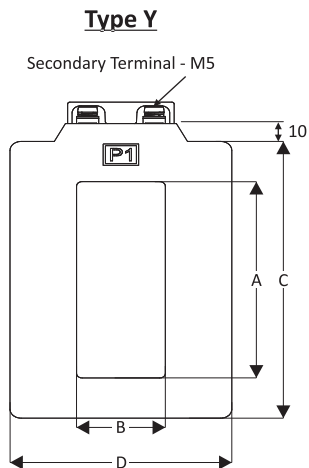
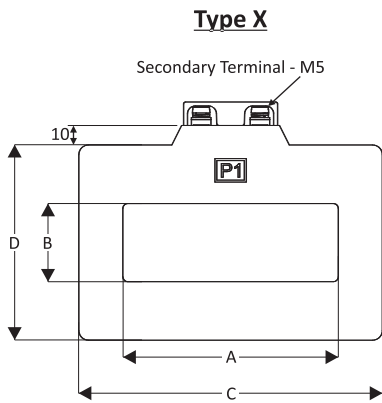
Axial depth shall vary with reference to Class of Accuracy.

Tolerance ±3.00mm

Resin Cast Ring Type CTs									
CAT. No.	Ratio	Min. Inner Dia. "A"	Max. Outer Dia. "B"	Class 0.5		Class 1.0			
				Burden in VA					
EORA	100/5	30	80	5	-	-	5	10	15
EORB		30	100	-	10	-	-	-	-
EORC		30	110	-	-	15	-	-	15
EORA	125/5	40	80	5	-	-	5	10	-
EORB		40	100	-	10	-	-	-	15
EORD		40	100	-	10	-	-	-	-
EORA	150/5	50	80	5	10	15	5	10	15
EORB		40	80	5	-	-	5	-	-
EORE		50	100	-	10	-	-	-	-
EORA	200/5	30	80	5	10	15	5	10	15
EORB		40	80	5	-	-	5	-	-
EORD		50	100	-	10	15	-	10	15
EORA	250/5	50	80	5	10	15	5	10	15
EORB		50	100	-	10	15	-	10	15
EORE		55	100	5	10	15	5	10	15
EORA	300/5	40	80	5	10	15	5	10	15
EORB		50	80	5	-	-	5	-	-
EORD		50	100	-	10	15	-	10	15
EORA	400/5	55	100	5	10	15	5	10	15
EORB		70	100	5	10	15	5	10	15
EORE		70	100	5	10	15	5	10	15
EORA	500/5	40	80	5	10	15	5	10	15
EORB		50	80	5	-	-	5	-	-
EORD		50	100	-	10	15	-	10	15
EORA	600/5	55	100	5	10	15	5	10	15
EORB		70	100	5	10	15	5	10	15
EORE		90	120	5	10	15	5	10	15
EORA	800/5	55	100	5	10	15	5	10	15
EORB		70	110	5	10	15	5	10	15
EORE		90	130	5	10	15	5	10	15
EORA	1000/5	70	100	5	10	15	5	10	15
EORB		90	130	5	10	15	5	10	15
EOREM		100	140	5	10	15	5	10	15
EORF		110	150	5	10	15	5	10	15

Resin Cast Rectangular Type Current Transformers

ELR



Resin Cast Rectangular Type Metering CTs							
CAT. No.	Ratio	Min. Inner Dia.(AxB)	Max. Outer Dia.(CxD)	Class 0.5		Class 1.0	
				Burden in VA			
ELRV	600/5	55x45	90x90	10	15	10	15
ELRP		85x60	125x105	10	15	10	15
ELRA		105x60	140x105	10	15	10	15
ELRV	800/5	55x45	90x90	10	15	10	15
ELRP		85x60	125x105	10	15	10	15
ELRA		105x60	140x105	10	15	10	15
ELRG	1000/5	55x45	115x115	10	15	10	15
ELRP		85x60	125x105	10	15	10	15
ELRA		105x60	140x105	10	15	10	15
ELRB		130x60	170x110	10	15	10	15
ELRP	1250/5	85x60	125x105	10	15	10	15
ELRI		105x60	150x110	10	15	10	15
ELRB		130x60	170x110	10	15	10	15
ELRK		130x85	180x140	10	15	10	15
ELRI	1500/5	105x60	150x110	10	15	10	15
ELRB		130x60	170x110	10	15	10	15
ELRK		130x85	180x140	10	15	10	15
ELRM		160x60	210x115	10	15	10	15
ELRN	1600/5	170x85	245x145	10	15	10	15
ELRI		105x60	150x110	10	15	10	15
ELRB		130x60	170x110	10	15	10	15
ELRK		130x85	180x140	10	15	10	15
ELRM	2000/5	160x60	210x115	10	15	10	15
ELRN		170x85	245x145	10	15	10	15
ELRI		105x60	150x110	10	15	10	15
ELRB		130x60	170x110	10	15	10	15
ELRK	2000/5	130x85	180x140	10	15	10	15
ELRM		160x60	210x115	10	15	10	15
ELRN		170x85	245x145	10	15	10	15
ELRI		105x60	150x110	10	15	10	15

Tolerance ±3.00mm

Resin Cast Rectangular Type Metering CTs								
CAT. No.	Ratio	Min. Inner Dia.(AxB)	Max. Outer Dia.(CxD)	Class 0.5		Class 1.0		
				Burden in VA				
ELRB	2500/5	105x60	170x110	10	15	10	15	
ELRB		130x60	170x110	10	15	10	15	
ELRK		130x85	180x140	10	15	10	15	
ELRM	2500/5	160x60	210x115	10	15	10	15	
ELRN		170x85	245x145	10	15	10	15	
ELRE1*		210x85	270x170	10	15	10	15	
ELRE1*		210x110	270x170	10	15	10	15	
ELR	2500/5	210x150	285x225	10	15	10	15	
ELRJ		130x60	180x120	10	15	10	15	
ELRQ		130x85	200x145	10	15	10	15	
ELRM		160x60	210x115	10	15	10	15	
ELRN	3000/5	170x85	245x145	10	15	10	15	
ELRE1*		210x85	270x170	10	15	10	15	
ELRE1*		210x110	270x170	10	15	10	15	
ELR		210x150	285x225	10	15	10	15	
ELRJ	3200/5	130x60	180x120	10	15	10	15	
ELRQ		130x85	200x145	10	15	10	15	
ELRM		160x60	210x115	10	15	10	15	
ELRN		170x85	245x145	10	15	10	15	
ELRE1*	3200/5	210x85	270x170	10	15	10	15	
ELRE1*		210x110	270x170	10	15	10	15	
ELR		210x150	285x225	10	15	10	15	
ELRQ		4000/5	130x85	200x145	10	15	10	15
ELRN	160x60		245x145	10	15	10	15	
ELRN	170x85		245x145	10	15	10	15	
ELRE1*	210x85		270x170	10	15	10	15	
ELRE1*	4000/5	210x110	270x170	10	15	10	15	
ELR		210x150	285x225	10	15	10	15	
ELRN		5000/5	170x85	245x145	10	15	10	15
ELR			210x85	285x225	10	15	10	15
ELR	210x110		285x225	10	15	10	15	
ELR	210x150		285x225	10	15	10	15	

Tolerance ±3.00mm

Resin Cast Rectangular Type Protection CTs					
CAT. No.	Ratio	Min. Inner Dia.(AxB)	Max. Outer Dia.(CxD)	Class 5P10	
				Burden in VA	
ELRI	600/5	85x60	150x110	10	15
ELRI		105x65	150x110	10	15
ELRP	800/5	55x45	125x105	10	15
ELRP		65x30	125x105	10	15
ELRP		85x60	125x105	10	15
ELRI		105x65	150x110	10	15
ELRP	1000/5	55x45	125x105	10	15
ELRP		65x30	125x105	10	15
ELRI		85x60	150x110	10	15
ELRC		105x65	170x130	10	15
ELRQ	1250/5	130x65	200x145	10	15
ELRI		85x60	150x110	10	15
ELRC		105x65	170x130	10	15
ELRQ		130x65	200x145	10	15
ELRQ	1600/5	130x85	200x145	10	15
ELRI		85x60	150x110	10	15
ELRC		105x65	170x130	10	15
ELRQ		130x65	200x145	10	15
ELRQ	1600/5	130x85	200x145	10	15
ELRM		160x60	210x115	10	15
ELRN		170x85	245x145	10	15
ELRI		105x65	150x110	10	15

Resin Cast Rectangular Type Protection CTs					
CAT. No.	Ratio	Min. Inner Dia.(AxB)	Max. Outer Dia.(CxD)	Class 5P10	
				Burden in VA	
ELRC	2000/5	105x65	170x130	10	15
ELRQ		130x65	200x145	10	15
ELRQ		130x85	200x145	10	15
ELRM	2500/5	160x60	210x115	10	15
ELRN		170x85	245x145	10	15
ELRK		105x65	180x140	10	15
ELRQ		130x65	200x145	10	15
ELRQ	2500/5	130x85	200x145	10	15
ELRQ		130x85	200x145	10	15
ELRM		160x60	210x115	10	15
ELRN		170x85	245x145	10	15
ELRQ	3200/5	130x65	200x145	10	15
ELRQ		130x85	200x145	10	15
ELRN		160x60	245x145	10	15
ELRN		170x85	245x145	10	15
ELRN	4000/5	170x85	245x145	10	15
ELR		210x85	285x225	10	15
ELR		210x110	285x225	10	15
ELRN		170x85	245x145	10	15
ELRN	5000/5	210x85	285x225	10	15
ELR		210x85	285x225	10	15
ELR		210x110	285x225	10	15
ELR		210x150	285x225	10	15

- Note: 1) Terminal arrangement shall be "Y" type if not mentioned in the order.
 2) Axial depth shall vary with reference to Class of Accuracy.
 3) *Only "Y" type Terminal arrangement shall be available.

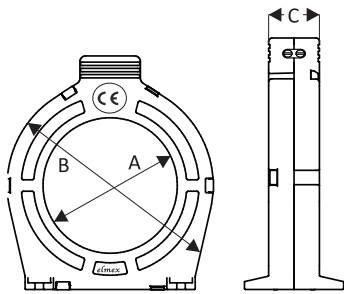
Features of Polycarbonate Encapsulated Ring Type CBCT

- Snap Locking Casing
- Drill Details: Opening of 4-5 mm Suitable for M4 Screws
- Finger Safe Operation for connection with IP 20 (Wire strip length 5-6 mm)
- Polycarbonate body with glass filled fiber
- UL approved connector for cable upto 2.5 sq mm.



Polycarbonate Encapsulated Ring Type CBCT

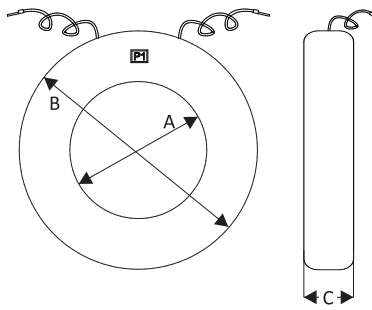
ECBP



Type	ECBP		
CAT. No.	A	B	C
ECBP 35	35	75	22
ECBP 70	70	110	22
ECBP 120	120	160	22

Tape Insulated Ring Type CBCT

ECBT

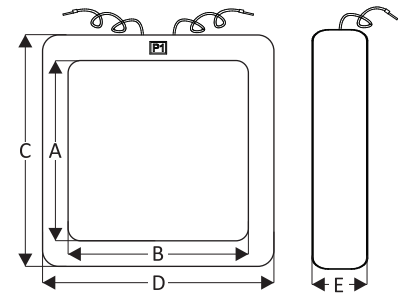


Type	ECBT		
CAT. No.	A	B	C
ECBT 100	100	160	25
ECBT 210	210	245	25
ECBT 310	310	360	30
ECBT 400	400	460	30
ECBT 500	500	560	30
ECBT 600	600	660	30

Tolerance $\pm 3.00\text{mm}$

Tape Insulated Rectangular Type CBCT

ELBT



Type	ELBT		
CAT. No.	A x B	C x D	E
ELBT 400	500 x 400	580 x 480	50
ELBT 500	500 x 500	580 x 580	50
ELBT 600	600 x 500	680 x 580	50

Tolerance $\pm 3.00\text{mm}$

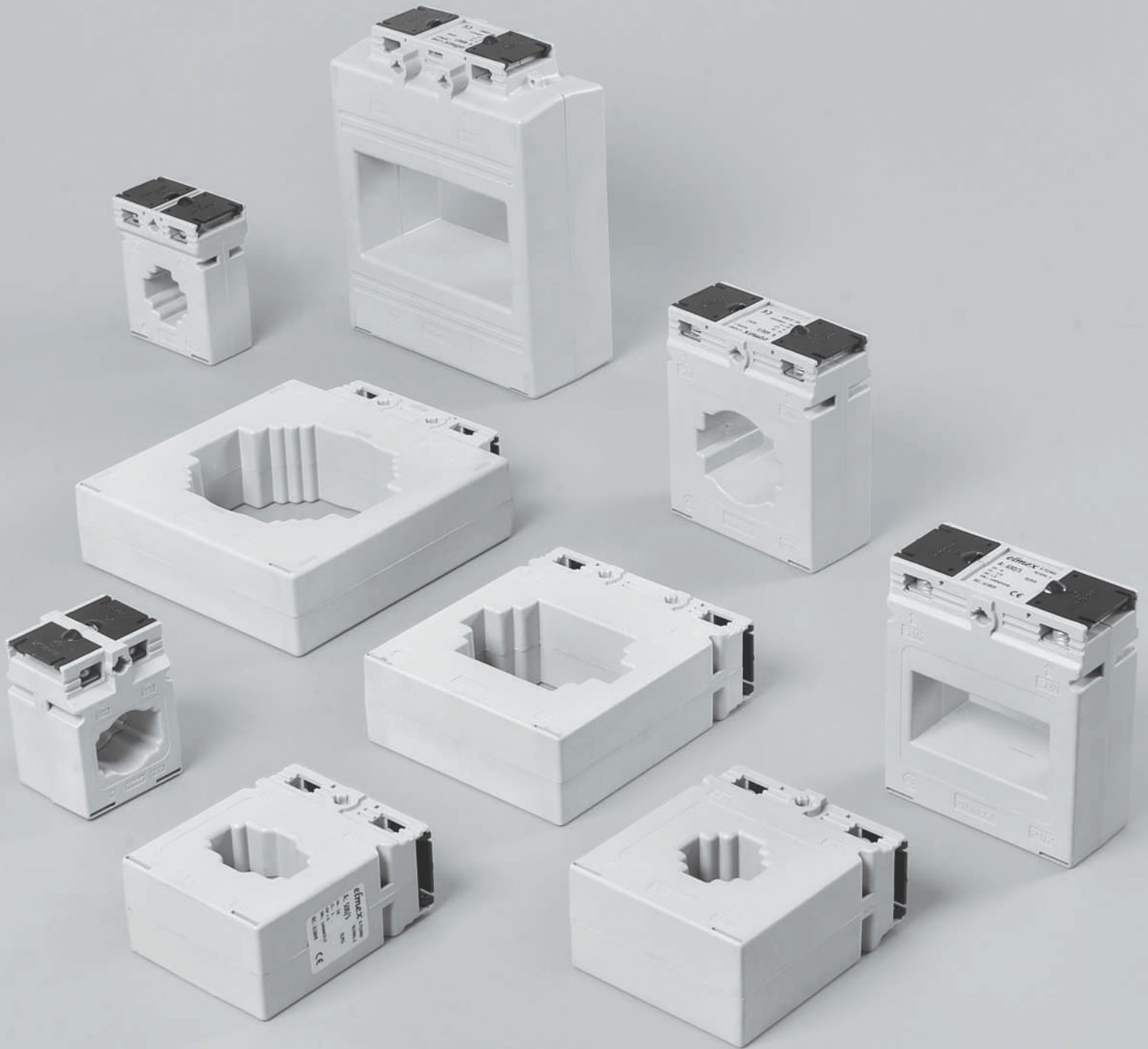
Technical Parameters

Voltage Class	415V, AC($\pm 10\%$)
Rated Frequency	50 / 60 Hz.
Core Material used	Nano Crystalline
Saturation Level	$\sim 0.75\text{T}$
No. of Turns	1000 or 1500 $\pm 3\%$
Conductor	Super Enamelled copper wire
Insulation Class	E
Insulation	Polycarbonate Casing or PVC Non Adhesive Tape
Terminal Block	300V / 20Amp. (for Polycarbonate CBCT)



Type	Ratio	Vk / VA	Rct@75°C	I _{ex} @V _k /2	Class	a	b	c
EORG M	1600/5	>94 V	<0.40Ω	<30mA	PX	90	165	75
EORH	2500/5	>118 V	<0.62Ω	<30mA	PX	100	180	63





Window / Plug In Type Polycarbonate Encapsulated (Bar / Cable Through) - (BPL)

Application	Ring Type		Rectangular Type	
	Ratio	CAT. No.	Ratio	CAT. No.
Metering	50/5 to 3200/5	EOPX / A - F	25/5 to 7500/5	ELP - ELPT
Protection	100/5 to 3200/5	EOPX / A - F	60/5 to 7500/5	ELP - ELPT

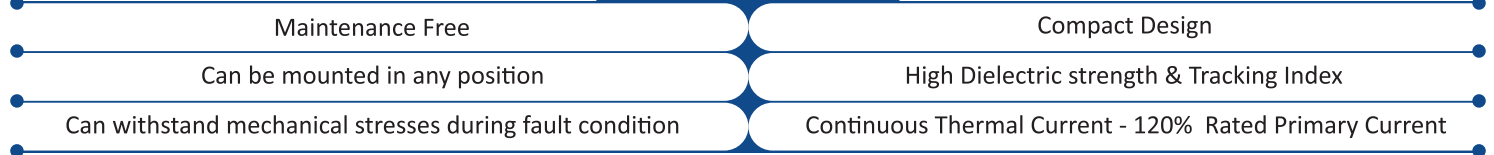
Wound Primary Type - (WPL)

Polycarbonate Encapsulated (Metering)			Resin Cast (Metering & Protection)		
Ratio	VA / Class	CAT. No.	Ratio	VA / Class	CAT. No.
1/5 to 40/5	5 / 0.5 or 10 / 1.0	EWPHN	1/5 to 125/5	5 / 0.5 or 5 / 1.0	EWRA
1/5 to 40/5	7.5 / 0.5 or 15 / 1.0	EWPA	1/5 to 125/5	7.5 / 0.5 or 10 / 1.0	EWRB
1/5 to 40/5	10 / 0.5 or 20 / 1.0	EWPIA	1/5 to 125/5	10 / 0.5 or 15 / 1.0	EWRC
30/5 to 150/5	7.5 / 0.5 or 15 / 1.0	EWPB	1/5 to 125/5	10 / 5P10	EWRD
			1/5 to 125/5	15 / 5P10	EWRE

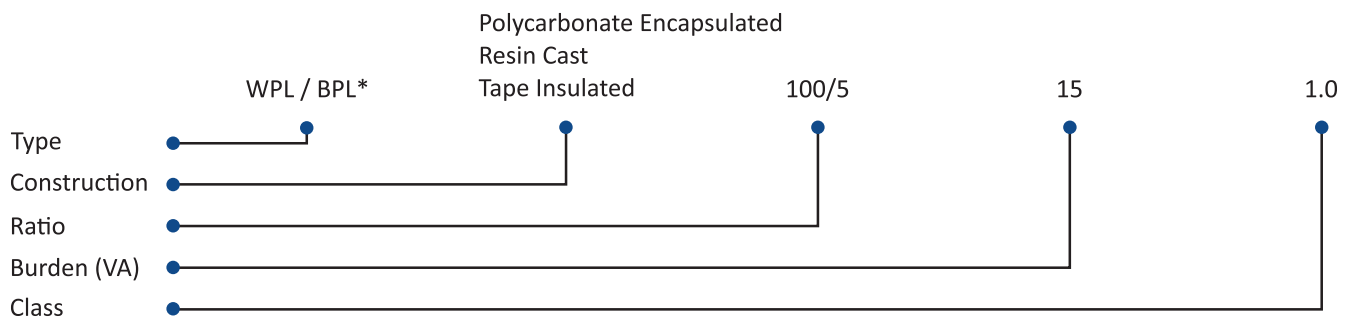
Window / Plug in Type Tape Insulated / Resin Cast: (Bar / Cable through) - (BPL)

Application	Ring Type			Rectangular Type		
	Ratio	Tape	Resin	Ratio	Tape	Resin
Metering	100/5 to 3200/5	EOT 30 - 140	EORA - J	600/5 to 6300/5	ELTA - N	ELRA - N
Protection	150/5 to 5000/5	EOT 30 - 130	EORD - J	600/5 to 6300/5	ELTA - N	ELRA - N

Salient Features



How to Order



*In case of BPL, inner dimensions are essential for correct offer.

For Differential Protection CT (Class - PS/PX), Please specify Minimum Knee Point Voltage (Vk), Maximum Winding Resistance Corrected at 75°C (Rct) and Permissible Exciting Current (Iex) at Vk or part thereof. Alternatively formula for Vk may be given.

- **Mounting clamp and Terminal Block for Tape Insulated CT can be offered request.**
- **Third party Type Test Reports can be furnished on request.**
- **Terminal sealing arrangement for Resin CT can be offered on request.**



Elmex Controls Pvt. Ltd. | Elmex Electric Pvt. Ltd.

12, GIDC Estate, Makarpura, Vadodara -390010, Gujarat, India

☎ 0265-2642021 / 23

✉ marketing@elmex.net

🌐 www.elmex.net



Scan for Website

Elmex CT November 2019



[in](#) ElmexControls | [f](#) ElmexControls | [t](#) ElmexControls | [i](#) ElmexControls | [You Tube](#) ElmexControls

TECHNICAL SPECIFICATIONS MAY CHANGE IN LINE WITH TECHNICAL ADVANCES AND INDUSTRY STANDARDS.